



Tel: 090 998 9907

Email: [info@vimet.com.vn](mailto:info@vimet.com.vn) - Web: [www.thietbioto.vn](http://www.thietbioto.vn)



SANKYO REELS, INC.

# REEL CATALOG



Tel: 090 998 9907

Email: [info@vimet.com.vn](mailto:info@vimet.com.vn) - Web: [www.thietbioto.vn](http://www.thietbioto.vn)

# WIND the GLOBE

Sankyo Reels, Inc. has been in business more than 40 years since its founding in 1968.

We are proud that our products keep top share in the automotive industry, and its high level quality is widely recognized. Our lineup includes an abundant variety of highly functional and well designed reels, which meet every customers' demands of sizes and purposes.

In recent years, along with establishing our facilities in the U.S. in 1997, China in 2003 and Belgium in 2008, we started the TRIENS brand in June 2007 seeking to create a global brand for reels built on our company's reliability, advancements and refinements at the forefront. We will make great leaps into the global market with our headquarters in Japan.

Triens has won several design awards for our innovative and modern styled reels. We constantly improve the form and function of our products.

We will continue to treat all needs with importance, supply products that meet users' demands, and make great steps forward.

At TRIENS, we are committed to bringing the finest, most advanced and most innovative products to our valued customers all over the world.



“TRIENS” represents “Sankyo”, comes from the Latin “tri” (three) and “consensio” (accordance).

The name encompasses the meaning of an engineering group that is always trying their best, and working to become professionals who never compromise.

These thoughts towards each of us are included in the name of TRIENS.



### W series

- Air hose reel
- Outlet cord reel
- Control Switch Reel



### T series

- Air Hose Reel
- Outlet Cord Reel
- Cord Reel with light
- Control Switch Reel
- Water Reel



### S series

- Air Hose Reel
- Outlet Cord Reel
- Cord Reel with light
- Control Switch Reel
- Water Reel



### G series

- Air Hose Reel
- Water Reel
- Oil/Grease Reel



### Z series

- Air Hose Reel
- Water Reel
- Oil/Grease Reel



### Twin\*kle 2

- Combination Reel-
- Air Hose Reel
- Outlet Cord Reel
- Cord Reel with light
- Control Cord Reel



### Reel Box

- Easy Maintenance Type
- Boat Shape
- Round Shape



### H series



W-series reels are designed for extreme space-restricted applications. Perfect for under work bench mounting, can be mounted on ceiling or wall.

### SUS Equipped with SUS protector

Stainless Steel protector has been added at hose outlet to extend life of outside casing.

### Improved support strength

Strengthened bracket support arms more than twice of previous model.



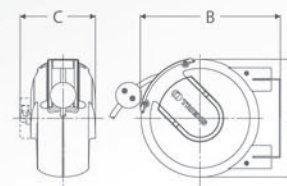
### Winner of Good Design Award in 2008.

Unique Frame Design for wall installation. New Standard of our TRIENS Brand.

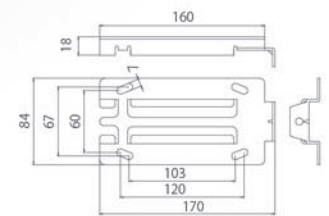
#### Ceiling or Wall mount



#### Dimensions



#### Mounting Bracket dimensions (mm)



### Air Hose Reels



Air Hose Reel  
**WHC-206** **6.5mm** **6m**  
•High quality polyurethane hose •Easy coupling

Model	Outlet Hose				MPa	Inlet Hose		Dimensions (mm)			Weight (kg)
	I.D. (mm)	m	Outlet	hose		m	Inlet	A	B	C	
WHC-206	6.5	6	Female G1/4	PU	1.4	0.8	Swivel fitting male R1/4	228	272	146	2.7
WHC-303	8.0	3	Female Rc3/8	PU	1.4	1.0	Swivel fitting male R3/8	228	272	146	2.8

comes with mounting base set

Air Hose Reel  
**WHC-303** **8.0mm** **3m**  
•High quality polyurethane hose

### Outlet Cord Reels



Outlet Cord Reel  
**WCC-306** **100V** **220V** **6m**

Model	Outlet Cord			Power Rating		Inlet Cord		Dimensions (mm)			Weight (kg)
	Wire	m	Outlet			m	Inlet	A	B	C	
WCC-306A	1.5×3	6.1	Type E Socket	AC125V/6A	AC250V/6A	0.8	Type E Plug	228	272	147	3.0

comes with mounting base set

### Control Switch Reel



Control Switch Reel  
**WPC-406** **4 cores** **6m**

Model	Outlet Cord			Power Rating		Inlet Cord		Dimensions (mm)			Weight (kg)
	Wire	m	Outlet			m	Inlet	A	B	C	
WPC-406	2.0×4	6	soldered wires	AC125V/6A	AC250V/5A	0.8	Bullet terminal	228	272	147	3.1

Comes with mounting base set

Extreme compact width and height compared to previous models

Robust supporting arms are especially designed for wall mounting position

A new streamlined design that symbolizes the series

Introduces a level wind mechanism that prevents tangling

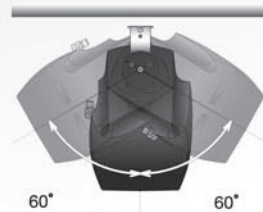
Ceiling or wall mount available



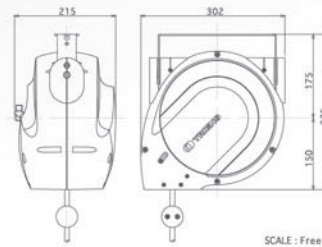
### Ceiling or Wall mount



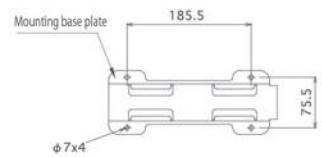
### 60 Degrees pivoting



### Dimensions



### Mounting Bracket dimensions



## Air Hose Reels



Air Hose Reels  
WHS-215 **6.5mm** 15m  
WHS-310 **8.0mm** 10m

Anti-spark Hose Reels  
WHS-215S **6.5mm** 15m  
WHS-310S **8.0mm** 10m

Model	I.D. (mm)		Outlet Hose		MPa	Inlet Hose		Dimensions (mm)			Weight (kg)
	m		Outlet	hose		m	Inlet	A	B	C	
WHS-215	6.5	15	Female G1/4	PU	1.4	0.8	Swivel Fitting Male R1/4	325	300	214	8.6
WHS-310	8.0	10	Female Rc3/8	PU	1.4	1.0	Swivel Fitting Male R3/8	325	300	214	8.7
WHS-215S	6.5	15	Female G1/4	Anti-spark	1.4	0.8	Swivel Fitting Male R1/4	325	300	214	8.6
WHS-310S	8.0	10	Female Rc3/8	Anti-spark	1.4	1.0	Swivel Fitting Male R3/8	325	300	214	8.7

comes with mounting base set

\*Inlet hose is not anti-spark hose.

## Outlet Cord Reels



Outlet Cord Reels  
WCS-315 **100V** **220V** 15m

Model	Outlet Cord		Power Rating		Inlet Cord		Dimensions (mm)			Weight (kg)
	Wire	m	Outlet		m	Inlet	A	B	C	
WCS-315	1.5x3	15	Type E Socket	AC125V/6A AC250V/6A	0.8	Type E Plug	325	300	214	9.2

comes with mounting base set

## Reliability and Results.TRIENS'new redesigned standard series

Light weight, easy to handle and convenient for restricted indoor spaces. High impact cover protects all working parts from contaminants, such as dust or dirt, and prevents hose binding and overlap.

\* Corrosion resistant solid brass axle.

\*Reel comes complete with inlet hose or cord, and mounting bracket.



Small



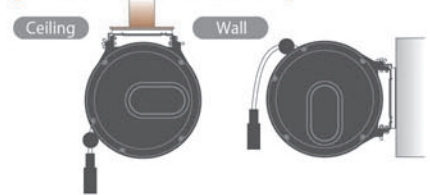
Medium



Won the prize Good Design Awards 2006 Product design Section

Auto rewind Air Hose Reel and Outlet Cord Reel were awarded for the Good Design Award product design section.

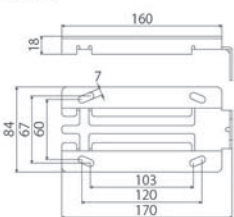
### 2 ways of mounting



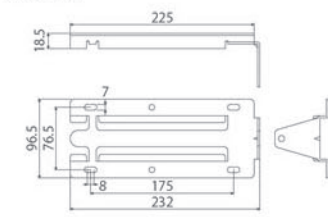
### mounting base

(mm)

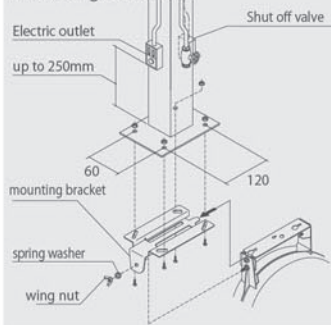
(Small)



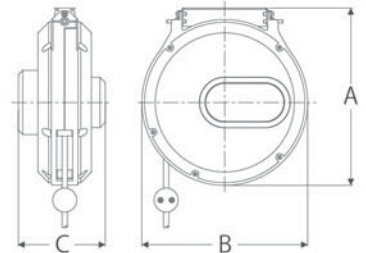
(Medium)



(Mounting exmple)



### Dimensions



**Air Hose Reels (small)**



**Air Hose Reel THS-210**  
 • High-quality polyurethane hose  
 • Easy coupling

65 mm 10m



**Limber Hose Reel THS-210S**  
 • Anti-Spark flexible hose  
 • Easy coupling

65 mm 10m

Model	Outlet Hose		MPa	Inlet Hose		Dimensions (mm)			Weight (kg)		
	I.D.(mm)	m		Outlet	Hose	m	Inlet	A		B	C
THS-210	6.5	10	Female G1/4	PU	1.4	0.8	Swivel Fitting Male R1/4	332	310	163	3.8 / 3.9
THS-210S	6.5	10	Female G1/4	Anti-spark	1.4	0.8	Swivel Fitting Male R1/4	332	310	163	3.8 / 3.9

Comes with mounting base set

※Inlet hose is not Anti-spark type.

**Air Hose Reels (Medium)**



**Air Hose Reel THM-310**  
 • High-quality polyurethane hose  
 • Easy coupling.

8.0 mm 10m  
 6.5 mm 15m

**Air Hose Reel THM-315**  
 • High-quality polyurethane hose  
 • Easy coupling.

8.0 mm 15m  
 6.5 mm 20m



**Limber Hose Reel THM-310S**  
 • Anti-spark flex hose.  
 • Easy coupling

8.0 mm 10m  
 6.5 mm 15m

**Limber Hose Reel THM-315S**  
 • Anti-spark flex hose.  
 • Easy coupling

8.0 mm 15m  
 6.5 mm 20m

Model	Outlet Hose		MPa	Inlet Hose		Dimensions (mm)			Weight (kg)		
	I.D.(mm)	m		Outlet	Hose	m	Inlet	A		B	C
THM-310	8.0	10	Female Rc3/8	PU	1.4	1.0	Swivel fitting Male R3/8	440	397	195	7.0
THM-315	8.0	15	Female Rc3/8	PU	1.4	1.0	Swivel fitting Male R3/8	440	397	195	7.4
THM-215	6.5	15	Female G1/4	PU	1.4	0.8	Swivel fitting Male R3/8	440	397	195	7.0
THM-220	6.5	20	Female G1/4	PU	1.4	0.8	Swivel fitting Male R3/8	440	397	195	7.3
THM-310S	8.0	10	Female Rc3/8	Anti-Spark	1.4	1.0	Swivel fitting Male R3/8	440	397	195	7.0
THM-315S	8.0	15	Female Rc3/8	Anti-Spark	1.4	1.0	Swivel fitting Male R3/8	440	397	195	7.4
THM-215S	6.5	15	Female G1/4	Anti-Spark	1.4	0.8	Swivel fitting Male R3/8	440	397	195	7.0
THM-220S	6.5	20	Female G1/4	Anti-Spark	1.4	0.8	Swivel fitting Male R3/8	440	397	195	7.3

Comes with mounting base set

※inlet hose is not Anti-spark type.

**Water Reels**



**Water Reel TWS-208**  
 • Reliable PVC hose

6.0 mm 8m



**Water Reel TWM-310**  
 • Reliable PVC hose

8.0 mm 10m

Model	Outlet Hose		MPa	Inlet Hose		Dimensions (mm)			Weight (kg)		
	I.D.(mm)	m		Outlet	hose	m	Inlet	A		B	C
TWS-208	6.0	8	Female G1/4(w/O-ring)	PVC	1.4	0.8	Male R1/4	332	310	163	3.9
TWM-310	8.0	10	Female Rc3/8	PVC	1.4	1.0	Male R3/8	440	397	195	7.0

comes with mounting base set

Outlet Cord Reels(small)



Output Cord Reel  
**TCS-310** 100V 220V 10m

Model	Outlet Cord		Power Rating		Inlet Cord		Dimensions (mm)			Weight (kg)
	Wire	m	Outlet		m	Inlet	A	B	C	
TCS-310	1.5×3	10	Socket (w/ground clip)	AC125V/6A AC250V/6A	0.8	Plug (w/ground clip)	332	310	150	4.2

Comes with mounting base set

Outlet Cord Reels(medium)



Outlet Cord Reel  
**TCM-315** 100V 220V 15m

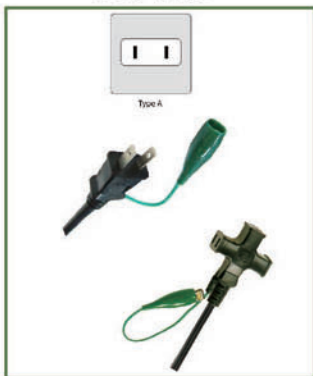
Outlet Cord Reel  
**TCM-320** 100V 220V 20m

Model	Outlet Cord		Power Rating		Inlet Cord		Dimensions (mm)			Weight (kg)
	Wire	m	Outlet		m	Inlet	A	B	C	
TCM-315	1.5×3	15	Socket (w/ground clip)	AC125V/6A AC250V/6A	0.8	Plug (w/ground clip)	440	397	168	7.2
TCM-320	1.5×3	20	Socket (w/ground clip)	AC125V/6A AC250V/6A	0.8	Plug (w/ground clip)	440	397	168	7.8

Comes with mounting base set

Plug/Socket option

A / A3



EF / E



G / G



B / B





**Outlet Cord Reels with light(small)**



Captain Light Reel  
**TCS-310C** 100V 220V 10m  
 •Outlet Cord Reel with Captain light (18W hand light.)



Captain Light Reel  
**TCS-310D** 100V 220V 10m  
 •Outlet Cord Reel with Captain light LED (18W LED hand light.)

Model	Outlet Cord		Power Rating		Inlet Cord		Dimensions (mm)			Weight (kg)
	Wire	m	Outlet		m	Inlet	A	B	C	
TCS-310C	1.5×3	10	Hand light	AC125V/6A AC250V/6A	0.8	Plug (w/ground clip)	332	310	150	4.6
TCS-310D	1.5×3	10	LED Hand light	AC125V/6A AC250V/6A	0.8	Plug (w/ground clip)	440	397	168	7.7

Comes with mounting base set

**Outlet Cord Reels with light(medium)**



Captain Light Reel  
**TCM-315C** 100V 220V 15m  
 •Outlet Cord Reel with Captain light (18W hand light.)



Captain Light Reel  
**TCM-315D** 100V 220V 15m  
 •Outlet Cord Reel with Captain light LED (18W LED hand light.)

Captain Light Reel  
**TCM-320C** 100V 220V 20m  
 •Outlet Cord Reel with Captain light (18W hand light.)

Captain Light Reel  
**TCM-320D** 100V 220V 20m  
 •Outlet Cord Reel with Captain light LED (18W LED hand light.)

Model	Outlet Cord		Power Rating		Inlet Cord		Dimensions (mm)			Weight (kg)
	Wire	m	Outlet		m	Inlet	A	B	C	
TCM-315C	1.5×3	15	Hand light	AC125V/6A AC250V/6A	0.8	Plug (w/ground clip)	440	397	168	7.7
TCM-320C	1.5×3	20	Hand light	AC125V/6A AC250V/6A	0.8	Plug (w/ground clip)	440	397	168	8.2
TCM-315D	1.5×3	15	LED Hand light	AC125V/6A AC250V/6A	0.8	Plug (w/ground clip)	440	397	168	7.7
TCM-320D	1.5×3	20	LED Hand light	AC125V/6A AC250V/6A	0.8	Plug (w/ground clip)	440	397	168	8.2

Comes with mounting base set



CL-18



CL-18LED

Replacement fluorescent lamp unit (for CL-18)



PLL-18W

Replacement LED lamp unit (for CL-18LED)



LED-18

**Hand light line up**

Model	length(m)	Power rating		dissipation	Dimensions (mm)			Weight(g)
CL-18	0.22	AC125V/6A	AC250V/6A	18W	350	65	42	395
CL-1805	5	AC125V/6A	AC250V/6A	18W	350	65	42	425
CL-1810	10	AC125V/6A	AC250V/6A	18W	350	65	42	825
CL-18LED	0.22	AC125V/6A	AC250V/6A	7W	350	65	42	415
CL-1805LED	5	AC125V/6A	AC250V/6A	7W	350	65	42	445
CL-1810LED	10	AC125V/6A	AC250V/6A	7W	350	65	42	845



Frame size: small

S-series reels are our No.1 selling reel for over 45 years. Light weight, easy to handle and convenient for restricted indoor spaces. High impact cover protects all working parts from contaminants, such as dust or dirt, and prevents hose binding and overlap. The slide-in mounting bracket allows for quick and easy installation.

\*Corrosion resistant solid brass axle.

\*Reel comes complete with inlet hose or cord, and mounting bracket.

### Size Comparison



Frame size: Medium



Frame size: small

New

### Improved support strength

Strengthened bracket support arms more than twice as previous model.



### SUS Equipped with SUS protector

Stainless steel protector has been added at hose outlet to extend life of outside casing.



### Easy Easy hose replacement

Easy Coupling, at the connection between outlet hose and the reel, allows for easy hose replacement.

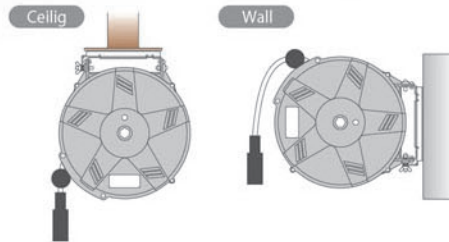


### anti-spark anti-spark hose

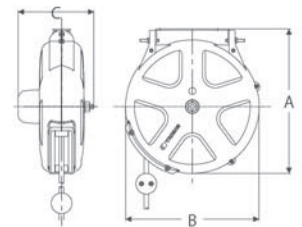
Flexible Anti-Spark hose.



### Ceiling or Wall mount

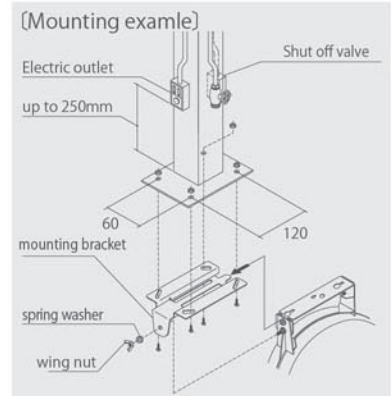
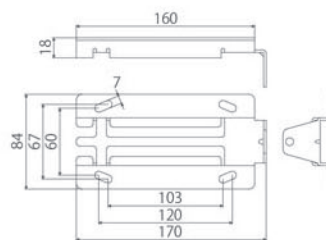


### Dimensions



### Mounting base

(mm)



**Air Hose Reels(small)**



Air Hose Reels  
**SHS-210A**

6.5mm 10m

- High-quality polyurethane hose.
- Easy coupling

Air Hose Reels  
**SHS-306**

8.0mm 6m

Model	Outlet hose				MPa	Inlet Hose		Dimensions (mm)			Weight (kg)
	I.D. (mm)	m	fittings	hose		m	Inlet	A	B	C	
SHS-210	6.5	10	Female G1/4	PU	1.4	0.8	Swivel Fitting Male R1/4	314	290	152	3.5
SHS-306	8.0	6	Female Rc3/8	PU	1.4	1.0	Swivel Fitting Male R3/8	314	290	152	3.5

Comes with mounting base set.

※inlet hose is not Anti-spark type.

**Air Hose Reels(medium)**



Air Hose Reel  
**SHR-31Z**

8.0mm 10m

Air Hose Reel  
**SHR-15Z**

6.5mm 15m

Air Hose Reel  
**SHR-35Z**

8.0mm 15m

Air Hose Reel  
**SHR-20Z**

6.5mm 20m

- High-quality polyurethane hose.
- Easy-changing coupling available.

Model	Outlet hose				MPa	Inlet hose		Dimensions (mm)			Weight (kg)
	I.D. (mm)	m	fittings	hose		m	fittings	A	B	C	
SHR-31Z	8.0	10	Female Rc3/8	PU	1.4	1.0	Swivel fitting male R3/8	408	384	173	6.4
SHR-35Z	8.0	15	Female Rc3/8	PU	1.4	1.0	Swivel fitting male R3/8	408	384	173	6.8
SHR-15Z	6.5	15	Female G1/4	PU	1.4	0.8	Swivel fitting male R3/8	408	384	173	7.0
SHR-20Z	6.5	20	Female G1/4	PU	1.4	0.8	Swivel fitting male R3/8	408	384	173	7.2

Comes with mounting base set.

※inlet hose is not Anti-spark type.

**Outlet Cord Reels(small)(medium)**



Outlet Cord Reel  
**SCS-310**

100V 220V 10m

- Compact type triple outlet with a ground clip



Outlet Cord Reel  
**SLR-15N**

100V 220V 15m

Outlet Cord Reel  
**SLR-20N**

100V 220V 20m

Model	Outlet Cord			Power Rating		Inlet cord		Dimension (mm)			Weight (kg)
	Wire	m	Outlet			m	Inlet	A	B	C	
SCS-310	1.25 × 3	10	outlet w/ground clip	AC125V/6A	AC250V/6A	0.8	plug (w/ground clip)	314	290	164	4.1
SLR-15N	1.25 × 3	15	outlet w/ground clip	AC125V/6A	AC250V/6A	0.8	plug (w/ground clip)	408	384	183	7.7
SLR-20N	1.25 × 3	20	outlet w/ground clip	AC125V/6A	AC250V/6A	0.8	plug (w/ground clip)	408	384	183	8.5

Comes with mounting base set.

**Outlet Cord Reels with light(small)**



Captain Light Reel  
**SCS-310C**

100V 220V 10m

- Outlet Cord Reel with Captain light (18W hand light.)



Captain Light Reel  
**SCS-310D**

100V 220V 10m

- Outlet Cord Reel with Captain light LED (18W LED hand light.)



Captain Light Reel  
**SLR-15CN**

100V 220V 15m

Captain Light Reel  
**SLR-20CN**

100V 220V 20m

- Outlet Cord Reel with Captain light (18W hand light.)

Captain Light Reel  
**SLR-15DN**

100V 220V 15m

Captain Light Reel  
**SLR-20DN**

100V 220V 20m

- Outlet Cord Reel with Captain light LED (18W LED hand light.)

Model	Cord			Power Rating		Inlet		Dimensions (mm)			Weight (kg)
	Wire	m	Outlet			m	Inlet	A	B	C	
SCS-310C	1.25 × 3	10	Hand light	AC125V/6A	AC250V/6A	0.8	plug (w/ground clip)	314	290	164	4.5
SLR-15CN	1.25 × 3	15	Hand light	AC125V/6A	AC250V/6A	0.8	plug (w/ground clip)	408	384	183	8.2
SLR-20CN	1.25 × 3	20	Hand light	AC125V/6A	AC250V/6A	0.8	plug (w/ground clip)	408	384	183	8.9
SCS-310D	1.25 × 3	10	LED Hand light	AC125V/6A	AC250V/6A	0.8	plug (w/ground clip)	314	290	164	4.5
SLR-15DN	1.25 × 3	15	LED Hand light	AC125V/6A	AC250V/6A	0.8	plug (w/ground clip)	408	384	183	8.2
SLR-20DN	1.25 × 3	20	LED Hand light	AC125V/6A	AC250V/6A	0.8	plug (w/ground clip)	408	384	183	8.9

Comes with Mounting base set.

**Water Reels**



Water Reel  
**SWS-208**

6.0mm 8m

- Reliable PVC hose



Water Reel  
**SWR-310**

8.0mm 10m

- Reliable PVC hose

Model	Outlet Hose				MPa	Inlet Hose		Dimensions (mm)			Weight (kg)
	I.D. (mm)	m	Outlet	hose		m	Inlet	A	B	C	
SWS-208	6.0	8	Female G1/4 (w/O-ring)	PVC	1.4	0.8	Male R1/4	314	290	152	3.5
SWR-310	8.0	10	Female Rc3/8	PVC	1.4	1.0	Male R3/8	408	384	173	6.4

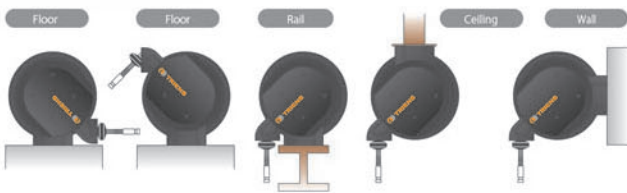
comes with mounting base set



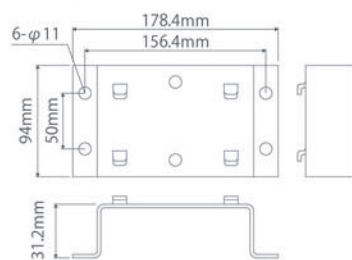
Dual pedestal for heavy duty applications.  
Wide range of product handling.  
Slide in mounting bracket.  
5 adjustable arm positions.



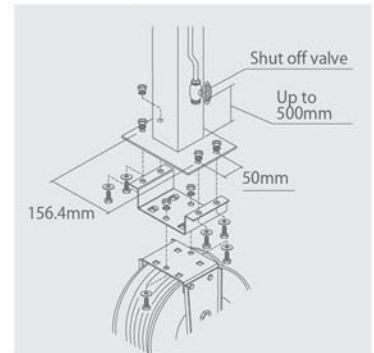
### Reel can be adjusted 5 different positions



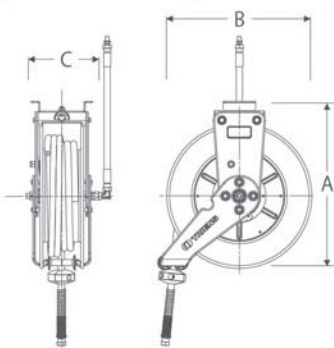
### Mounting bracket dimensions mm



### Installation example mm



### Dimensions



	[mm]		
	A	B	C
GS	461	447	245
GM	566	551	245
GL	666	650	275

### Reel drum is expandable for longer application



※ II and III are special order only  
Please consult with factory for detail

G series Small



Air Hose Reels



Water Reels



Oil Reels



Grease Reels



GS

	Model	I.D.(mm)	outlet hose			MPa	inlet hose	
			m	fittings	hose		m	fittings
air	GS I A-315	3/8	15	Male 3/8 BSPT	1 braid	1.4	1.0	Male 3/8 BSPT
air	GS I A-410	1/2	10	Male 1/2 BSPT	1 braid	1.4	1.0	Male 1/2 BSPT
water	GS I W-315	3/8	15	Male 3/8 BSPT	1 braid	0.5	1.0	Male 3/8 BSPT
water	GS I W-410	1/2	10	Male 1/2 BSPT	1 braid	0.5	1.0	Male 1/2 BSPT
oil	GS I O-310	3/8	10	Male 3/8 BSPT	1 braid	6.0	1.0	Male 3/8 BSPT
oil	GS I O-410	1/2	10	Male 1/2 BSPT	1 braid	6.0	1.0	Male 1/2 BSPT
grease	GS I G-210	1/4	10	Male 1/4 BSPT	2 braid	28.0	1.0	Male 1/4 BSPT
grease	GS I G-310	3/8	10	Male 3/8 BSPT	2 braid	28.0	1.0	Male 3/8 BSPT

Comes with inlet hose ,nipple and mounting base set.



G series Medium



Air Hose Reels



Water Reels



Oil Reels



Grease Reels



GM

	Model	I.D.(mm)	outlet hose			MPa	inlet hose	
			m	fittings	hose		m	fittings
air	GM I A-320	3/8	20	Male 3/8 BSPT	1 braid	1.4	1.0	Male 3/8 BSPT
air	GM I A-325	3/8	25	Male 3/8 BSPT	1 braid	1.4	1.0	Male 3/8 BSPT
air	GM I A-330	3/8	30	Male 3/8 BSPT	1 braid	1.4	1.0	Male 3/8 BSPT
air	GM I A-415	1/2	15	Male 1/2 BSPT	1 braid	1.4	1.0	Male 1/2 BSPT
air	GM I A-420	1/2	20	Male 1/2 BSPT	1 braid	1.4	1.0	Male 1/2 BSPT
water	GM I W-320	3/8	20	Male 3/8 BSPT	1 braid	0.5	1.0	Male 3/8 BSPT
water	GM I W-325	3/8	25	Male 3/8 BSPT	1 braid	0.5	1.0	Male 3/8 BSPT
water	GM I W-330	3/8	30	Male 3/8 BSPT	1 braid	0.5	1.0	Male 3/8 BSPT
water	GM I W-415	1/2	15	Male 1/2 BSPT	1 braid	0.5	1.0	Male 1/2 BSPT
water	GM I W-420	1/2	20	Male 1/2 BSPT	1 braid	0.5	1.0	Male 1/2 BSPT
oil	GM I O-315	3/8	15	Male 3/8 BSPT	1 braid	6.0	1.0	Male 3/8 BSPT
oil	GM I O-320	3/8	20	Male 3/8 BSPT	1 braid	6.0	1.0	Male 3/8 BSPT
oil	GM I O-415	1/2	15	Male 1/2 BSPT	1 braid	6.0	1.0	Male 1/2 BSPT
grease	GM I G-215	1/4	15	Male 1/4 BSPT	2 braid	28.0	1.0	Male 1/4 BSPT
grease	GM I G-220	1/4	20	Male 1/4 BSPT	2 braid	28.0	1.0	Male 1/4 BSPT
grease	GM I G-315	3/8	15	Male 3/8 BSPT	2 braid	28.0	1.0	Male 3/8 BSPT

Comes with inlet hose ,nipple and mounting base set.



G series Large



Air Hose Reels



Water Reels



Oil Reels



Grease Reels



GL

	Model	I.D.(mm)	outlet hose			MPa	inlet hose	
			m	fittings	hose		m	fittings
air	GL I A-425	1/2	25	Male 1/2 BSPT	1 braid	1.4	1.0	Male 1/2 BSPT
air	GL I A-430	1/2	30	Male 1/2 BSPT	1 braid	1.4	1.0	Male 1/2 BSPT
air	GL I A-435	1/2	35	Male 1/2 BSPT	1 braid	1.4	1.0	Male 1/2 BSPT
air	GL I A-610	3/4	10	Male 3/4 BSPT	1 braid	1.4	1.0	Male 3/4 BSPT
air	GL I A-615	3/4	15	Male 3/4 BSPT	1 braid	1.4	1.0	Male 3/4 BSPT
water	GL I A-425	1/2	25	Male 1/2 BSPT	1 braid	1.4	1.0	Male 1/2 BSPT
water	GL I A-430	1/2	30	Male 1/2 BSPT	1 braid	1.4	1.0	Male 1/2 BSPT
water	GL I A-435	1/2	35	Male 1/2 BSPT	1 braid	1.4	1.0	Male 1/2 BSPT
oil	GL I O-420	1/2	20	Male 1/2 BSPT	1 braid	6.0	1.0	Male 1/2 BSPT
oil	GL I O-425	1/2	25	Male 1/2 BSPT	1 braid	6.0	1.0	Male 1/2 BSPT
oil	GL I O-610	3/4	10	Male 3/4 BSPT	1 braid	7.0	1.0	Male 3/4 BSPT

Comes with inlet hose ,nipple and mounting base set.

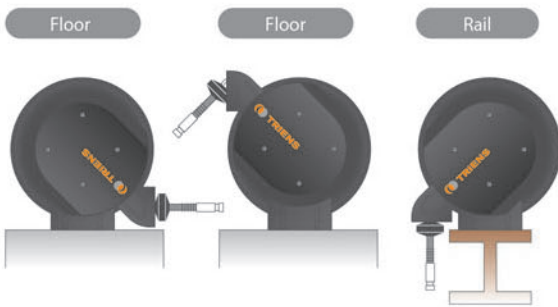


Great durability which withstands for heavy application

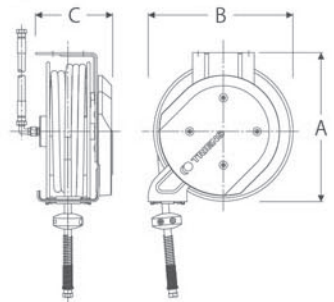
Z series reels are designed for a wide range of applications. Basic reel can be used for air and water. Oil and grease models are also available. Every model is manufactured with finest quality components, and ideal for automotive repair applications.



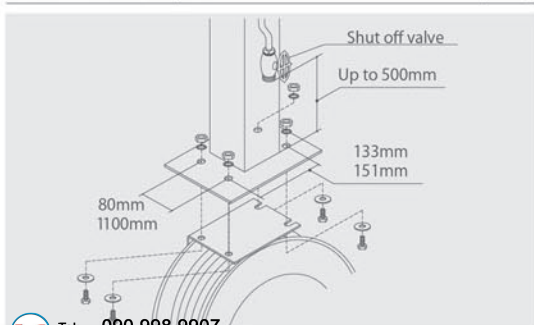
### Reel can be adjusted 5 different positions



### Dimensions



### Installation example (mm)



### Standard Color      Optional paint (Special Order)



ZS □ -XXX D  
 ZL □ -XXX D

ZS □ -XXX L  
 ZL □ -XXX L

ZS □ -XXX O  
 ZL □ -XXX O

Low Pressure Hose Reels(Air&water)



Air Hose Reels

- ZSA-310 10m
- ZSA-410 10m
- ZLA-415 15m
- ZLA-420 20m



Water Reels

- ZSW-310 10m
- ZSW-410 10m
- ZLW-415 15m
- ZLW-420 20m

Model	Outlet Hose				MPa	Inlet Hose		Dimensions (mm)			Weight (kg)
	I.D.(mm)	m	fitting	Hose		m	fittings	A	B	C	
ZSA-310	3/8	10	Male 3/8 BSPT	1 braid	1.4	1.0	Male 3/8 BSPT	392	380	202	14.4
ZSA-410	1/2	10	Male 1/2 BSPT	1 braid	1.4	1.0	Male 1/2 BSPT	392	380	202	16.0
ZLA-415	1/2	15	Male 1/2 BSPT	1 braid	1.4	1.0	Male 1/2 BSPT	540	516	205	22.9
ZLA-420	1/2	20	Male 1/2 BSPT	1 braid	1.4	1.0	Male 1/2 BSPT	540	516	205	23.9
ZSW-310	3/8	10	Male 3/8 BSPT	1 braid	0.5	1.0	Male 3/8 BSPT	392	380	202	14.4
ZSW-410	1/2	10	Male 1/2 BSPT	1 braid	0.5	1.0	Male 1/2 BSPT	392	380	202	16.0
ZLW-415	1/2	15	Male 1/2 BSPT	1 braid	0.5	1.0	Male 1/2 BSPT	540	516	205	22.9
ZLW-420	1/2	20	Male 1/2 BSPT	1 braid	0.5	1.0	Male 1/2 BSPT	540	516	205	23.9

comes with inlet hose , fixing bolts , nuts and nipples

Medium Pressure Hose Reels(Oil&Pressure washer)



Oil Reels

- ZSO-310 10m
- ZSO-410 10m
- ZLO-315 15m
- ZLO-320 20m
- ZLO-410 10m
- ZLO-415 15m



※Pressure washer Reels also available .  
Please ask for detail.

Model	Outlet hose				MPa	Inlet Hose		Dimensions (mm)			Weight (kg)
	I.D.(mm)	m	fitting	Hose		m	fittings	A	B	C	
ZSO-310	3/8	10	Male 3/8 BSPT	1 braid	7.0	1.0	Male 3/8 BSPT	390	380	202	18.0
ZSO-410	1/2	10	Male 1/2 BSPT	1 braid	7.0	1.0	Male 1/2 BSPT	390	380	202	18.5
ZLO-315	3/8	15	Male 3/8 BSPT	1 braid	7.0	1.0	Male 3/8 BSPT	540	516	205	26.0
ZLO-320	3/8	20	Male 3/8 BSPT	1 braid	7.0	1.0	Male 3/8 BSPT	540	516	205	28.3
ZLO-410	1/2	10	Male 1/2 BSPT	1 braid	7.0	1.0	Male 1/2 BSPT	540	516	205	25.4
ZLO-415	1/2	15	Male 1/2 BSPT	1 braid	7.0	1.0	Male 1/2 BSPT	540	516	205	27.6

comes with inlet hose , fixing bolts , nuts and nipples

High Pressure Hose Reels(Grease)



Grease Reels

- ZSG-210 10m
- ZLG-215 15m
- ZLG-220 20m



Model	Outlet Hose				MPa	Inlet Hose		Dimensions (mm)			Weight (kg)
	I.D.(mm)	m	fittings	Hose		m	Fittings	A	B	C	
ZSG-210	1/4	10	Male 1/4 BSPT	2 braid	28.0	1.0	Male 1/4 BSPT	390	380	202	18.0
ZLG-215	1/4	15	Male 1/4 BSPT	2 braid	28.0	1.0	Male 1/4 BSPT	540	516	205	26.4
ZLG-220	1/4	20	Male 1/4 BSPT	2 braid	28.0	1.0	Male 1/4 BSPT	540	516	205	28.4

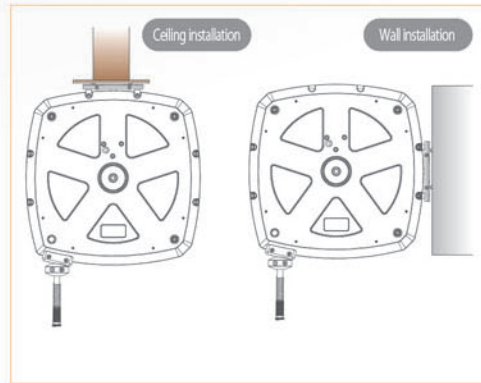
comes with inlet hose , fixing bolts , nuts and nipples

# Enclosed Type Reels

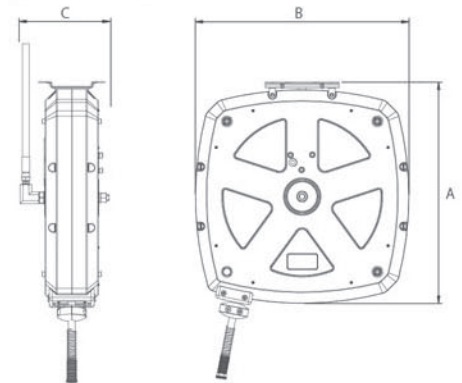
- Heavy duty reel with enclosed cover prevents all working parts like a contaminants such as dust, dirt and prevents hose binding and over lap.
- Made in heavy gauge steel body and detailed part in plastics stylish plastic cover.



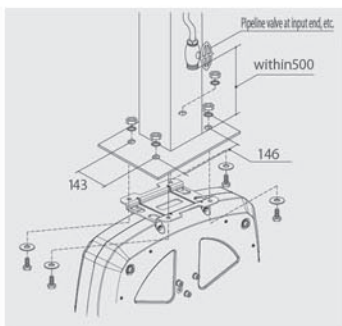
Reel can be adjusted 5 different positions



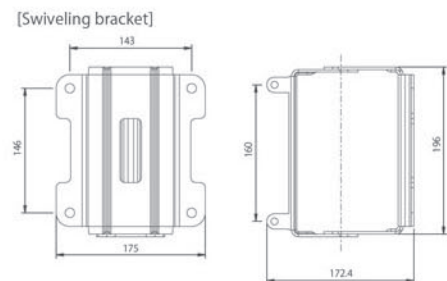
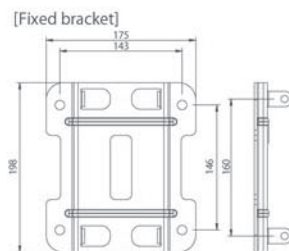
Body size



Installation drawing (Unit:mm)



Option Installing support (Unit:mm)





## Low Pressure Hose Reels(Air&water)



### Air Hose Reels

- ELA-330 3/8 30m
- ELA-415 1/2 15m
- ELA-420 1/2 20m



### Water Reels

- ELW-415 1/2 15m
- ELW-420 1/2 20m

Model	Outlet Hose				MPa	Inlet Hose		Dimensions (mm)			Weight (kg)
	I.D.(mm)	m	fitting	Hose		m	fittings	A	B	C	
ELA-330	3/8	30	Male 3/8 BSPT	1 braid	1.4	1.0	Male 3/8 BSPT	595	575	235	25.6
ELA-415	1/2	15	Male 1/2 BSPT	1 braid	1.4	1.0	Male 1/2 BSPT	595	575	235	27.9
ELA-420	1/2	20	Male 1/2 BSPT	1 braid	1.4	1.0	Male 1/2 BSPT	595	575	235	29.6
ELW-415	1/2	15	Male 1/2 BSPT	1 braid	0.5	1.0	Male 1/2 BSPT	595	575	235	27.9
ELW-420	1/2	20	Male 1/2 BSPT	1 braid	0.5	1.0	Male 1/2 BSPT	595	575	235	29.6

comes with inlet hose , fixing bolts , nuts and nipples

## Medium Pressure Hose Reels(Oil&Pressure washer)



### Oil Reels

- ELO-315 3/8 15m
- ELO-320 3/8 20m
- ELO-410 1/2 10m
- ELO-415 1/2 15m

Model	Outlet hose				MPa	Inlet Hose		Dimensions (mm)			Weight (kg)
	I.D.(mm)	m	fitting	Hose		m	fittings	A	B	C	
ELO-315	3/8	15	Male 3/8 BSPT	1 braid	7.0	1.0	Male 3/8 BSPT	595	575	235	28.0
ELO-320	3/8	20	Male 3/8 BSPT	1 braid	7.0	1.0	Male 3/8 BSPT	595	575	235	29.2
ELO-410	1/2	10	Male 1/2 BSPT	1 braid	7.0	1.0	Male 1/2 BSPT	595	575	235	29.4
ELO-415	1/2	15	Male 1/2 BSPT	1 braid	7.0	1.0	Male 1/2 BSPT	595	575	235	31.1

comes with inlet hose , fixing bolts , nuts and nipples

## High Pressure Hose Reels(Grease)



### Grease Reels

- ELG-215 1/4 15m
- ELG-220 1/4 20m
- ELG-315 3/8 15m

Model	Outlet Hose				MPa	Inlet Hose		Dimensions (mm)			Weight (kg)
	I.D.(mm)	m	fittings	Hose		m	Fitings	A	B	C	
ELG-215	1/4	15	Male 1/4 BSPT	2 braid	28.0	1.0	Male 1/4 BSPT	595	575	235	26.4
ELG-220	1/4	20	Male 1/4 BSPT	2 braid	28.0	1.0	Male 1/4 BSPT	595	575	235	28.4
ELG-315	3/8	15	Male 3/8 BSPT	2 braid	28.0	1.0	Male 3/8 BSPT	595	575	235	29.1

comes with inlet hose , fixing bolts , nuts and nipples



Reel combinations can be mixed or matched to meet your requirements.  
Various combination is available  
Easy installation with one-touch clamp

## Optional color



※Green color is also available

Please ask for combination you may need

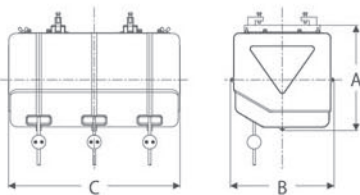


## Practical & Convenient

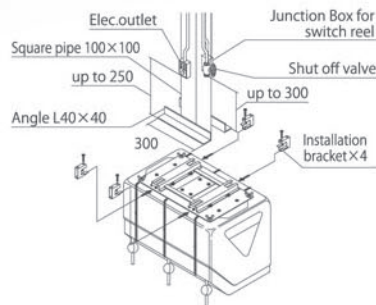
Reel cover can be easily removed for hose exchange and maintenance of reel.

## Dimensions

Unit	TR2 Body cover (mm)			Cover Weight (kg)
	A	B	C	
1	355.0	336	196	2.4
2	341.3	336	376	4.0
3	341.3	336	556	5.7



## Installation Example 2unit•3unit (mm)



## Combination Example

Model	Combination	Unit	Dimension(mm)			Weight (kg)
			A	B	C	
TR2- A	Air Hose Reel	1	355.0	336	196	2.4
TR2- A- C	Air Hose Reel +Outlet Cord Reel	2	341.3	336	376	13.1
TR2- A- CL	Air Hose Reel + Captain Light Reel	2	341.3	336	376	13.1
TR2- A- CL- 4NL	Air Hose Reel + Captain Light Reel + 4 Cores Switch Reel	3	341.3	336	556	19.8
TR2- ASZ-C- 4NL	Limber Hose Reel + Outlet Cord Reel + 4 Cores Switch Reel	3	341.3	336	556	19.4

## Model Description

1 unit

TR2-

2 unit

TR2-  -

3 unit

TR2-  -  -

\* please input the Alphabet code that you wish to include in Tinkle Reel cover.  
A= Air, C= Cord CL = Captain Light  
4NL = 4 cores wire for switch

## Multiple reel storage cabinets

### Various custom made available

Reel combinations can be mixed or matched to meet your requirements.

### Custom logo option

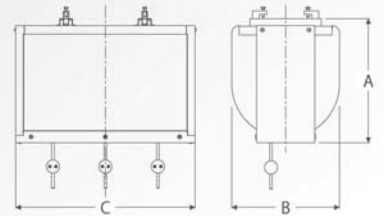
Can be customized logo for each customer. Provides eye-catching visual impact for the workplace.

### Custom Paint option

Can be customized color, logo for each customer.



### Dimensions



※Inside reel, switch box and logo mark are optional.



### Easy Maintenance Type



Reel Box SBN-3 **3 unit**

Reel Box SBN-2 **2 unit**



Removable cover for easy maintenance and reel exchange.

※The above model are only of box type.  
Please add model of reels that you wish to store in the box when you order.

### Boat shape



Lumi-pack Boat Shape SB-3P **3 unit**

•A clean design with a white metal cover



Lumi-pack Boat Shape SB-2P **2 unit**

•A clean design with a white metal cover

### Round shape



Lumi-pack round shape SB-3 **3 unit**  
•Provides an eye-catching visual impact for the workplace.

Lumi-pack round shape SB-3L **3 unit**  
•with light up unit



Lumi-pack round shape SB-2 **2 unit**  
•Provides an eye-catching visual impact for the workplace.

Lumi-pack round shape SB-2L **2 unit**  
•with light up unit

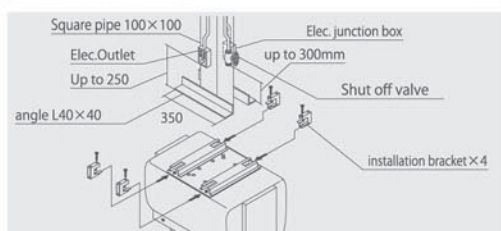


\*front cover without light up unit

※The above model are only of box type.  
Please add model of reels that you wish to store in the box when you order.

### Installation example

(mm)



	Model	Number of Reels	Dimensions (mm)			Weight (kg) *
			A	B	C	
Reel Box (Easy maintenance type)	SBN-2	2	430	370	440	9.5
Reel Box (Easy maintenance type)	SBN-3	3	430	370	621	12.0
Lumi-Pack (boat shape)	SB-2P	2	380	370	385	9.0
Lumi-Pack (boat shape)	SB-3P	3	380	370	565	12.1
Lumi-Pack (boat shape)	SB-4P	4	380	370	745	14.9
Lumi-Pack (round shape)	SB-2	2	437	525	725	12.3
Lumi-Pack (round shape)	SB-3	3	437	525	868	14.6
Lumi-Pack (round shape) w / light up unit	SB-2L	2	437	525	725	15.8
Lumi-Pack (round shape) w / light up unit	SB-3L	3	437	525	868	18.7

Comes with installation bracket



SBB reel box stores multiple reels to meet customer's requirements. Great for corporate logo placement. Number of reels can be customizable.

### Custom logo option



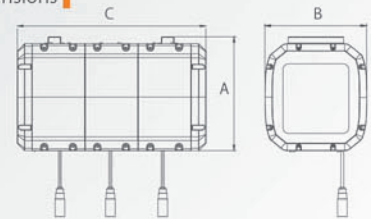
Can be customized logo for each customer. Provides eye-catching visual impact for the workplace.

### Special order only

※Inside reel, switch box and logo mark are optional.

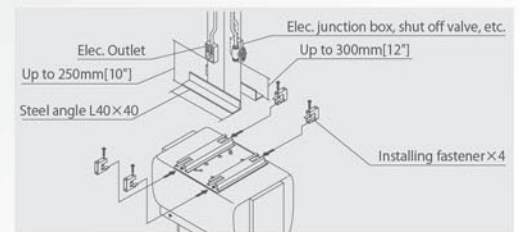
### Large and Medium type reels available

#### Dimensions



#### Installation example

mm[inch]



### Model description

SBB-L-( ) W

Type of reel box      Number of reels

#### Reel BOX SBB-SS



Reel BOX  
SBB-SS-( ) W

Compatible reels :  
S series Small size reels

•Detachable cover structure makes it easier for maintenance and reel replacement.

Model	# of reels	Dimensions (mm)			Weight(kg)
		A	B	C	
SBB-1SS	1	397.3	355	287	8.5
SBB-2SS	2	397.3	355	472	9.3
SBB-3SS	3	397.3	355	657	10.2
SBB-4SS	4	397.3	355	842	11.2
SBB-5SS	5	397.3	355	1027	12.2
SBB-6SS	6	397.3	355	1212	13.2
SBB-7SS	7	397.3	355	1397	14.2
SBB-8SS	8	397.3	355	1582	15.2

[Accessory] Installation clamp/ Screw for fixing installation clamp  
※Weight shown is just for box, not including inside reels.

#### Reel BOX SBB-S



Reel BOX  
SBB-S-( ) W

Compatible reels :  
S series Small size reels  
S series Medium size reels  
O series reels  
Z series Small size reels

•Detachable cover structure makes it easier for maintenance and reel replacement.

Model	# of reels	Dimensions (mm)			Weight(kg)
		A	B	C	
SBB-1S	1	540	453	402	20.9
SBB-2S	2	540	453	702	30.3
SBB-3S	3	540	453	1002	39.7
SBB-4S	4	540	453	1302	49.2
SBB-5S	5	540	453	1602	58.6
SBB-6S	6	540	453	1902	68.1
SBB-7S	7	540	453	2202	77.5
SBB-8S	8	540	453	2502	87.0

[Accessory] Installation clamp/ Screw for fixing installation clamp  
※Weight shown is just for box, not including inside reels.

#### Reel BOX SBB-L



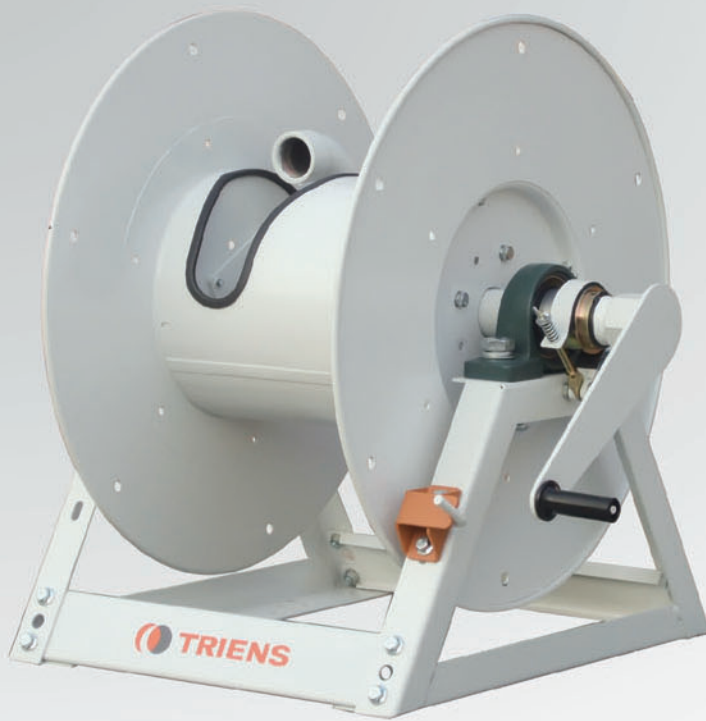
Reel BOX  
SBB-L-( ) W

Compatible reels :  
S series Small size reels  
S series Medium size reels  
O series reels  
Z series Small size reels  
Z series Large size reels

•Detachable cover structure makes it easier for maintenance and reel replacement.

Model	# of reels	Dimensions (mm)			Weight(kg)
		A	B	C	
SBB-1L	1	693	560	402	24.0
SBB-2L	2	693	560	702	34.5
SBB-3L	3	693	560	1002	45.0
SBB-4L	4	693	560	1302	55.5
SBB-5L	5	693	560	1602	66.0
SBB-6L	6	693	560	1902	76.5
SBB-7L	7	693	560	2202	87.0
SBB-8L	8	693	560	2502	97.5

[Accessory] Installation clamp/ Screw for fixing installation clamp  
※Weight shown is just for box, not including inside reels.



Model : HT12-15

Ideal for turf care, pest control or industrial use. Full-flow hollowed shaft allows constant flow all the time.

Dual bearing for smooth handling.

Hand adjustable drag brake to prevent backrush.

Heavy duty lock pin to prevent spool rotation when not in use.



Model : HS4-60 , HS4-100 (square Base)

### Features



1 Opened drum & low profile riser for smooth easy hose wrapping and storage.

2 Crank handle and swivel are interchangeable to the either side. Great for restricted space.

3 Drum locking pin is movable to the other corner of the frame.



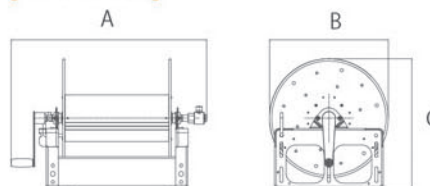
Model : HT4-60 , HT4-100 (Triangle Base)

### Drag Brake

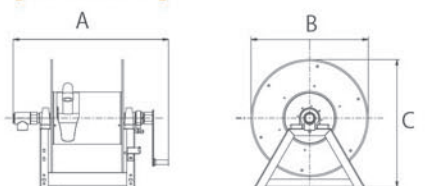


Hand adjustable drag brake to prevent backlash.

### Dimensions : HS



### Dimensions : HT



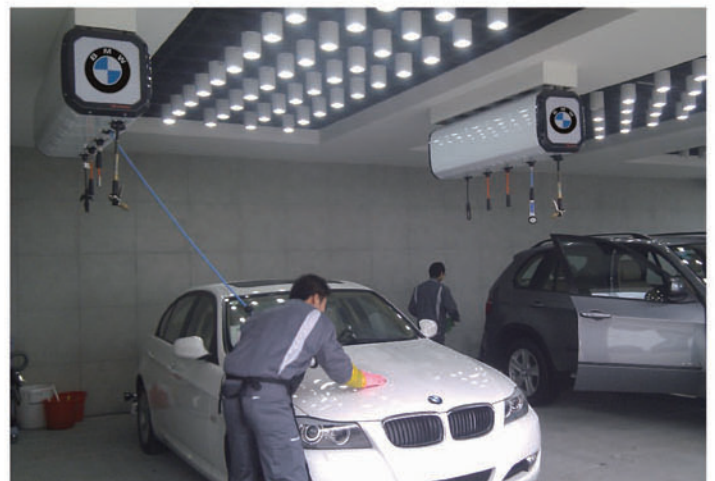
Model	Base type	Outlet Hose Capacity			MPa	Dimensions (mm)			weight(kgs)
		I.D. (mm)	m	fittings		A	B	C	
HS4-60	Square Base	1/2"	(60)	Female BSP 1/2"	20.0	691	420	457	20.8
HS4-100	Square Base	1/2"	(100)	Female BSP 1/2"	20.0	691	420	457	43.0
HT4-60	Triangle Base	1/2"	(60)	Female BSP 1/2"	20.0	691	420	457	18.7
HT4-100	Triangle Base	1/2"	(100)	Female BSP 1/2"	20.0	691	420	457	37.0
HT12-15	Triangle Base	1 1/2"	(15)	Female BSP 1 1/2"	4.0	820	620	671	Please ask



## Exhibitions



## TRIENS Products Installation Example



## Company Profile

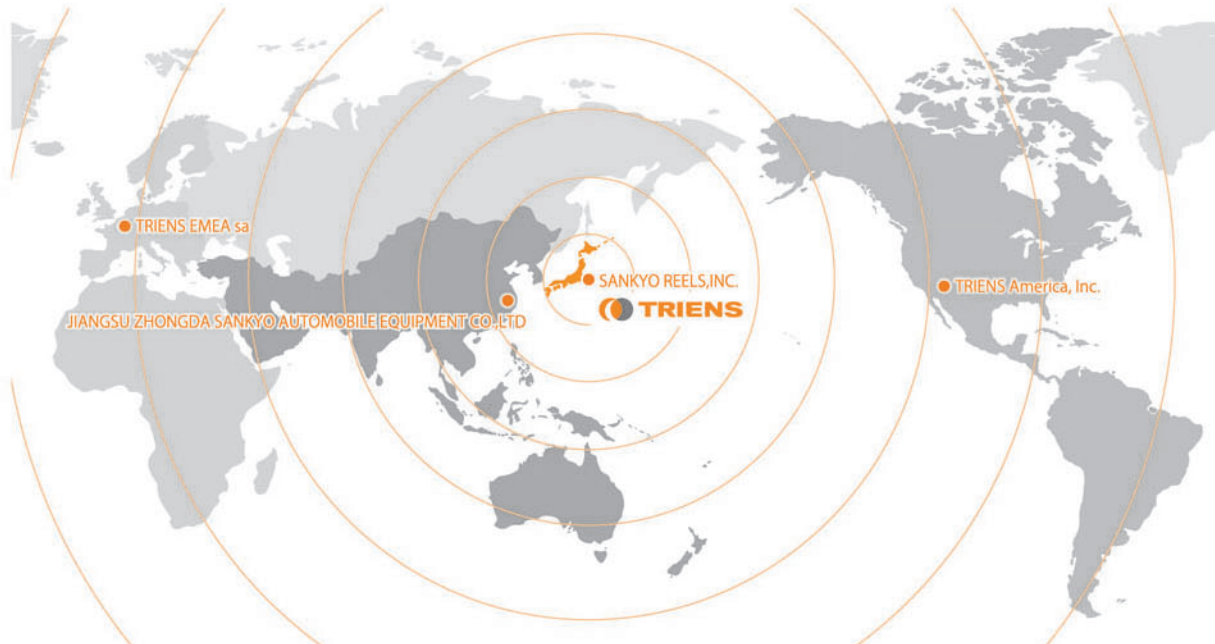
Company name: SANKYO REELS,INC.  
 Location of  
 Head quarter : 279-4 Sanno-cho, Inage-ku, Chiba-shi  
 Chiba 263-0002 Japan  
 Phone : +81-43-421-5551  
 Fax : +81-43-421-5553  
 http://www.triens.jp  
 e-mail:international@triens.jp



Foundation : June 1968  
 Capital : JPY 36,000,000 (Whole Groupe 280,000,000)  
 Products : Air Hose Reel • Outlet Cord Reel • Water Reel • High Pressure Reel and other reels  
 Manufacture and sales of automaintenance tools  
 Representative : CEO Kentaro MIKI

## Global Network

TRIENS brand is expanding globally with its sales hubs in Europe, United States and China. You can find TRIENS products through Europe, Middle East, Africa, Asia, Oceania and North America.



### JIANGSU ZHONGDA SANKYO AUTOMOBILE EQUIPMENT CO.,LTD

China office and Factory  
 88#Building Xinyuan Road Yancheng Economic Development Zone,  
 Jiangsu Province, P.C 224007, CHINA  
 TEL.+86-515-88286100 FAX.+86-515-88285432  
 http://www.triens.cn/



### TRIENS EMEA sa

Europe,middle East and Africa Sales office  
 Rue de Jodoigne 22A BE-1367 Huppaye, Belgium  
 TEL.+32-10-88-13-73 FAX.+32-4-290-06-18  
 http://www.triens.eu/



### TRIENS America, Inc.

US Sales office  
 2211 W. 1st. Street Ste.105B Tempe, AZ. 85281  
 TEL.+1-480-219-6931 FAX.+1-480-219-7294  
 http://www.triens.us/



## WIND THE GLOBE

<http://www.triens.eu>



**TRIENS EMEA sa**

Europe, middle East and Africa Sales office  
Rue de Jodoigne 22A BE-1367 Huppaye, Belgium  
TEL.+32-10-88-13-73 FAX.+32-4-290-06-18  
<http://www.triens.eu/>