

STAR Airopower

PNEUMATIC BODY REPAIR SYSTEM PAT.

Category

Airopower Parts and Descriptions

Thread for Attachment

Useful attachments can be connected for wider work scope.

Power and Speed Control Dial

Power and Speed can be controlled by the Control Dial for fine adjustment.

Lock-Pin Hole

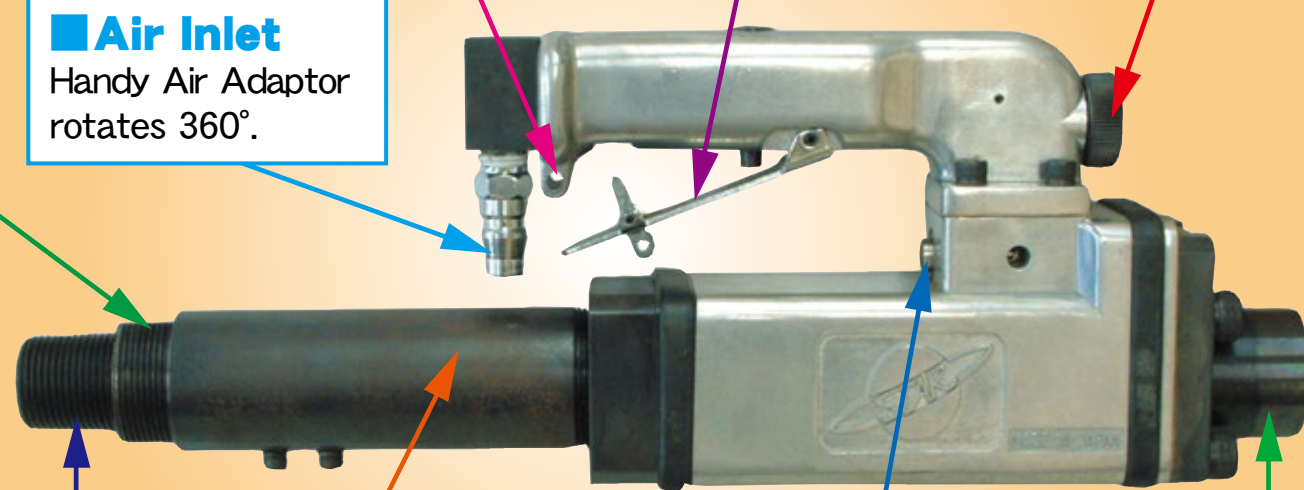
Output Lever can be locked with the Lock-Pin with the Lock-Pin Hole.

Output Lever

Easy-to-Use Output Lever.

Air Inlet

Handy Air Adaptor rotates 360°.



Main Cylinder

Strong structure to guide the piston.

Reverse Valve

Very handy quick reverse valve is installed on the handle.

Piston

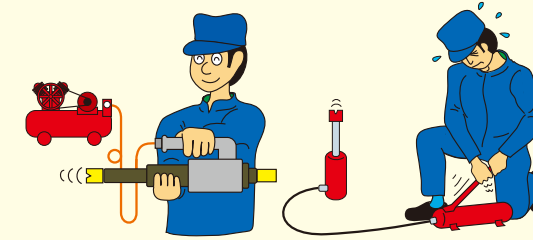
Various attachments can be connected on the piston.

Rear Connector

Various attachments can be connected.

FEATURES OF AIROPOWER SYSTEM

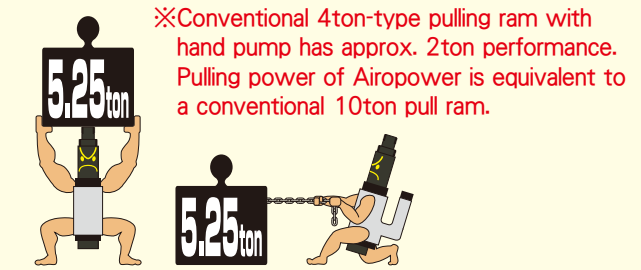
Easy and Quick Operation



Connect the air supply and just pull the lever. Very easy operation and quickly done.

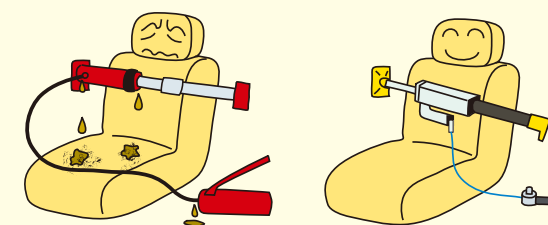
High Power!! Max. 5.25tons

■ Pushing Capacity : Max. 5.25tons (Operating air pressure 8bar)
■ Pulling Capacity : Max. 5.25tons (Operating air pressure 8bar)



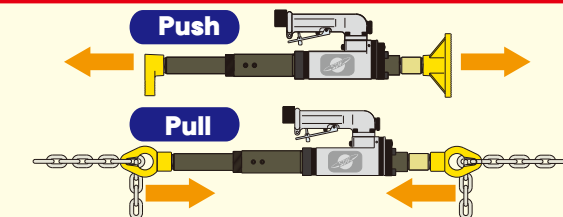
※Conventional 4ton-type pulling ram with hand pump has approx. 2ton performance. Pulling power of Airopower is equivalent to a conventional 10ton pull ram.

No Oil Leaks



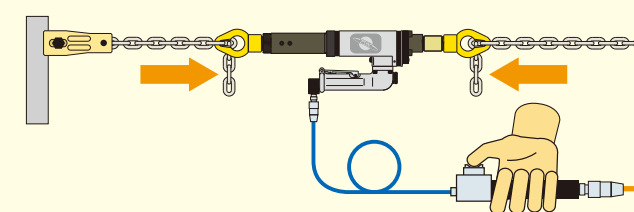
No problems with oil leaking from a cylinder or a coupling with a hydraulic power kit. No stain on car interior.

One Body For Push and Pull



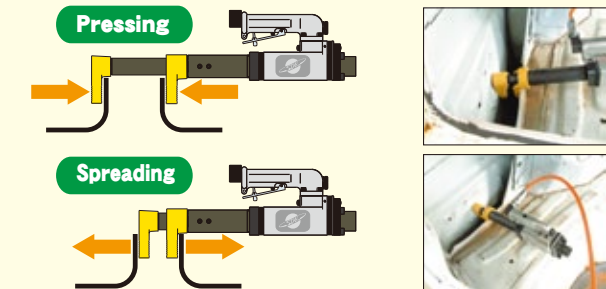
You need only one tool for pushing and pulling. Simply reverse the valve. No separated rams like conventional power kit. Very easy and quick operation.

Remote Control for Safety



The tool is equipped with a remote controller for safety. You can work from a distance of 2meters.

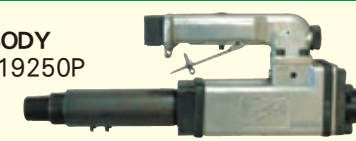
Pressing & Spreading



You can apply to narrow space like mini-ram.

AIROPOWER SYSTEM STANDARD KIT

MAIN BODY
Model 19250P



CONTROLLER KIT
Model 19216PS
Model 19216PS-CE
Model 19216PS-RS



V-BASE
Model 19212P



SERRATED SADDLE
Model 19208P



WEDGE HEAD
Model 19213P



RUBBER FLEX HEAD
Model 19207P



FLAT BASE + RUBBER PAD
Model 19219PS



EXTENSION TUBE
125mm
Model 19260P



BLOW CASE
Model 19245P-V

COLLAR TOE
Model 19210P



PLUNGER TOE
Model 19211P



PULL HOOK
Model 19214P-V



MALE CONNECTOR
Model 19205P



FEMALE CONNECTOR
Model 19206P



STOPPER PIN
Model 19217PN



MALE THREAD PLUG
Model 52121



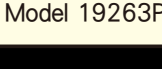
170mm
Model 19261P



300mm
Model 19262P



500mm
Model 19263P

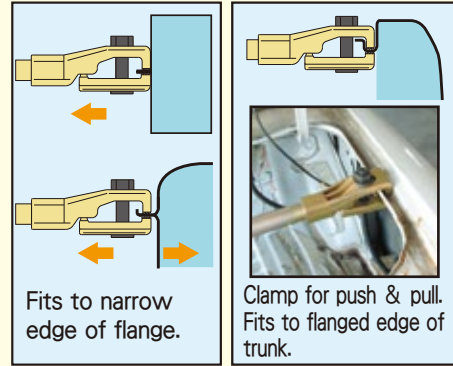


VARIOUS ACCESSORIES

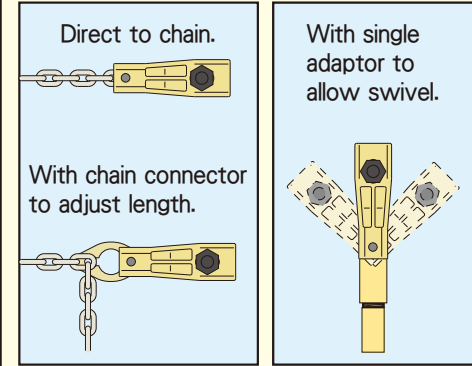
AIROPOWER CLAMP
Model 19234P



Push & Pull



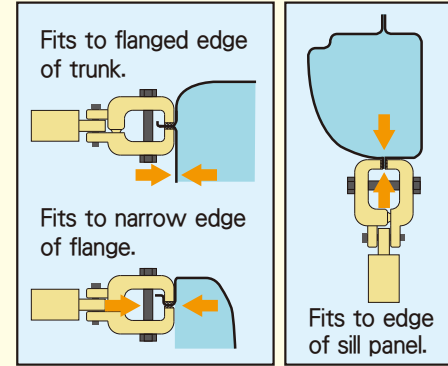
MULTI CLAMP
Model 19235PN



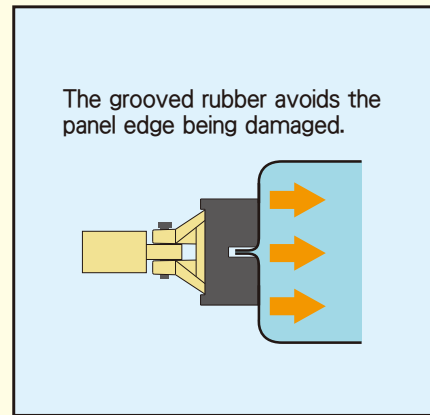
WIDE CLAMP
Model 19236PN



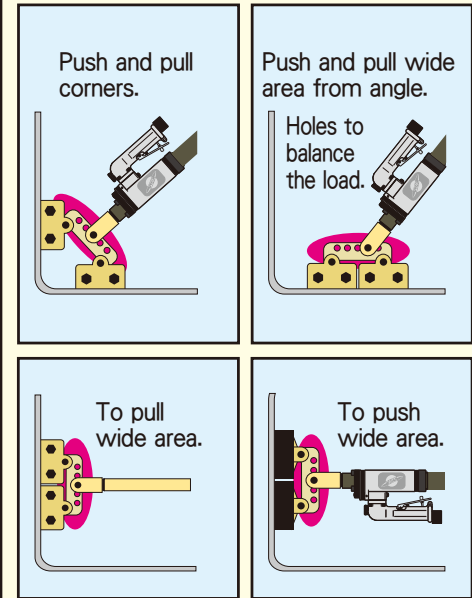
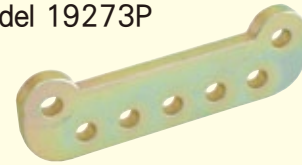
Push & Pull



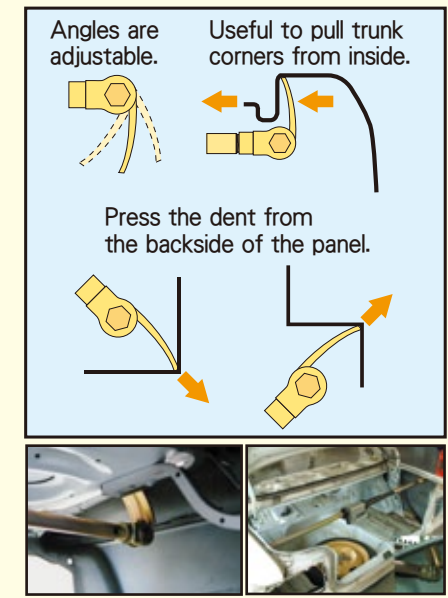
GROOVED FOOT
Model 19237PN



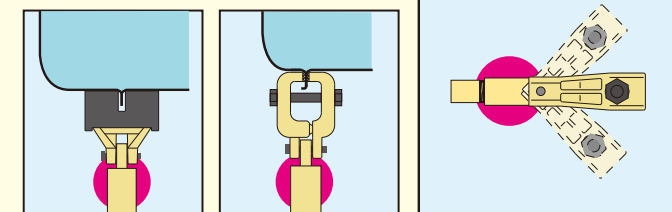
CONNECTING PLATE
Model 19273P



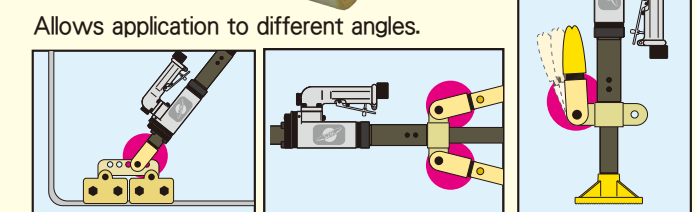
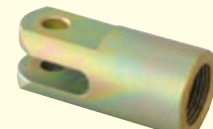
ADJUSTABLE BODY SPOON
Model 19220P



SINGLE ADAPTOR
Model 19274P



TWIN ADAPTOR
Model 19275P

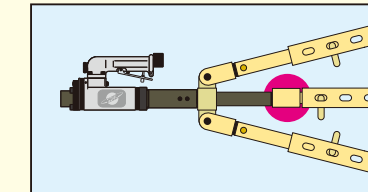


VARIOUS ACCESSORIES

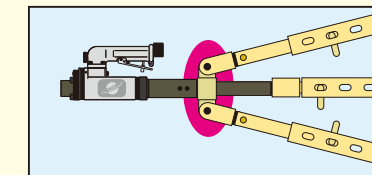
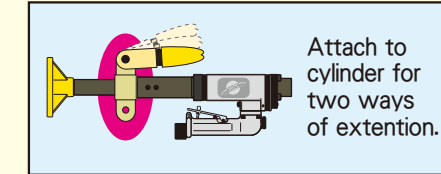
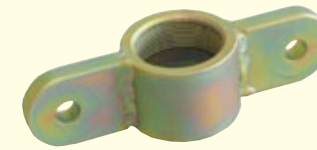
TUBE ADAPTOR
Model 19276P



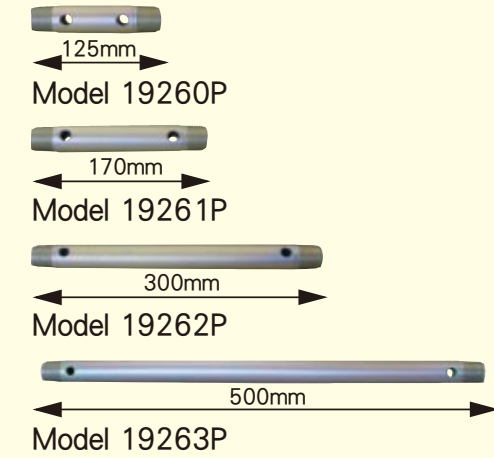
Attach to cylinder to connect adjusting pipe.



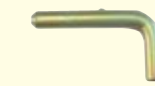
PROPELLER
Model 19277P



EXTENSION TUBE



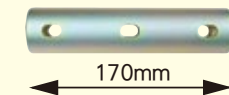
L-TYPE PIN
Model 19272P



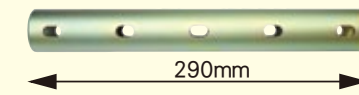
KNOCK PIN W/ STOPPER
Model 19238PN



ADJUSTING TUBE 170mm
Model 19270P



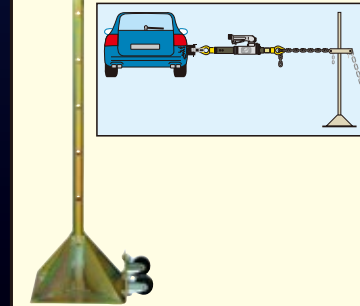
ADJUSTING TUBE 290mm
Model 19271P



BIT HOOK
Model 19286P



MINI TOWER
Model 19320PS
Size : H1,500×W300×D300mm
Weight : 23kg



METAL CASE S
Model 30309



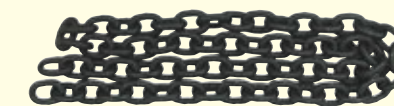
Size 410×150×100mm

METAL CASE L
Model 30310



Size 610×180×125mm

CHAIN 2m
Model 19282P



ANCHOR BASE
Model 17512

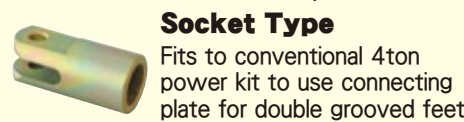


Anchor Bolt (M16×100mm)×4

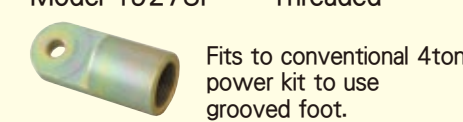
MIRACLE BIT
Model MB-2



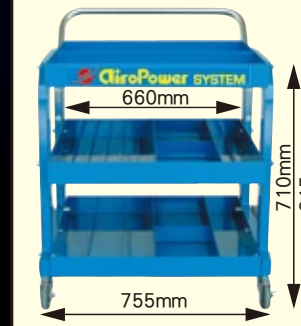
TWIN ADAPTOR FOR HYDRAULIC KIT
Model 19279P w/o thread



SINGLE ADAPTOR FOR HYDRAULIC KIT
Model 19278P Threaded



DELUXE TROLLEY
Model 19283PN



Specially designed to store AiroPower System. A standard kit fits on the top shelf. All accessories can be stored neatly on the two bottom shelves.



STANDARD KIT Model EP-01AE

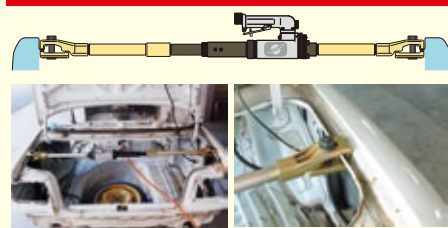


ACCESSORY 9PCS. KIT Model EP-9AK



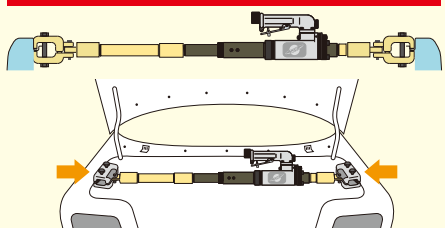
Useful Applications

Application for upper side rear quarter panel

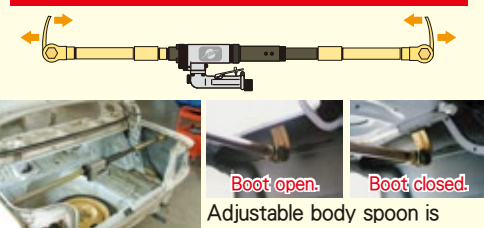


You can clamp the panel without damaging the panel edge.

Application for rear outer panel and C pillar



Application for upper side rear quarter panel



Adjustable body spoon is useful for pouched panel.
Enables you to make some adjustments precisely by closing the trunk lid.

※Star co.,ltd. reserves the right to modify models shown this catalogue without any prior notification.

STANDARD KIT Model EP-01AE

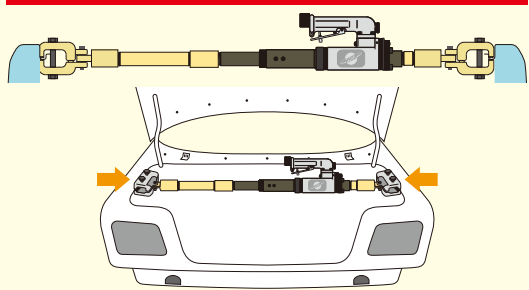


ACCESSORY 19PCS. KIT Model EP-ECO19

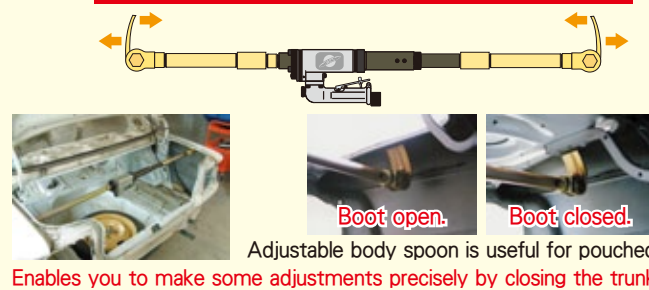


Useful Applications

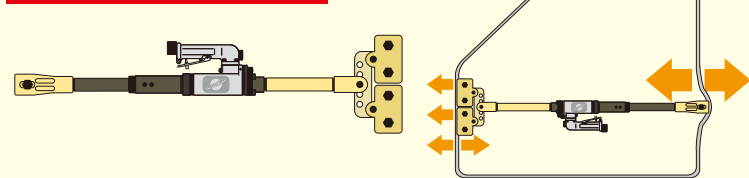
Application for rear outer panel and C pillar



Application for upper side rear quarter panel

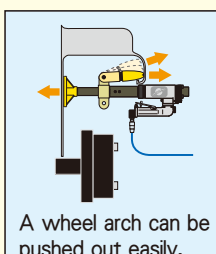
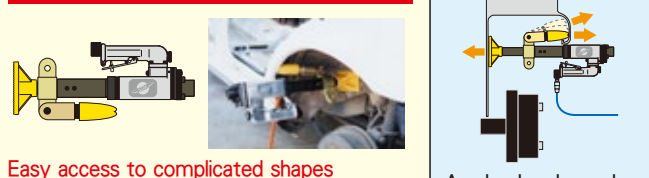


Application for door frame



Using two wide clamps on one side allows you intensive pulling or pushing work.

Application for rear quarter panel



※Star co.,ltd. reserves the right to modify models shown this catalogue without any prior notification.

STANDARD KIT Model EP-01AE

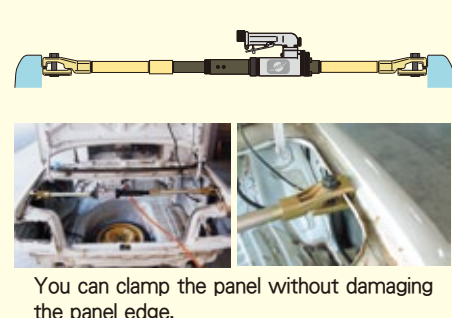


ACCESSORY 33PCS. KIT Model EP-33AK

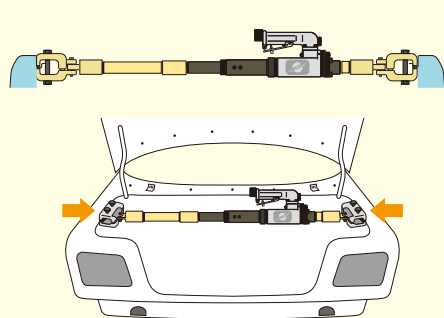


Useful Applications

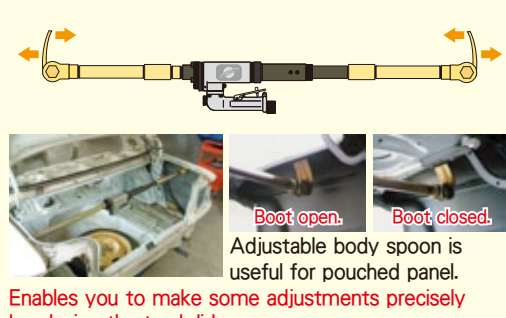
Application for upper side rear quarter panel



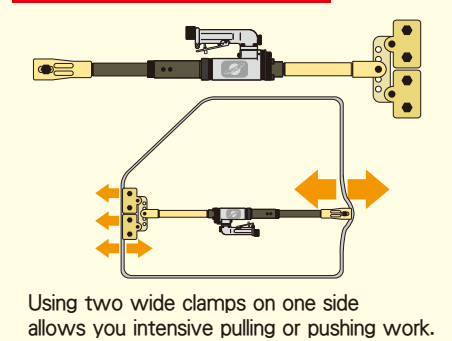
Application for rear outer panel and C pillar



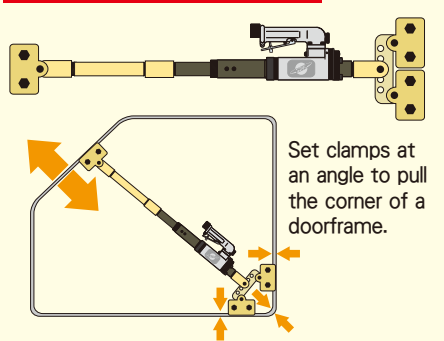
Application for upper side rear quarter panel



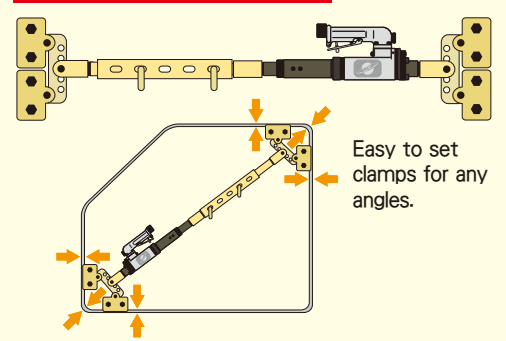
Application for door frame



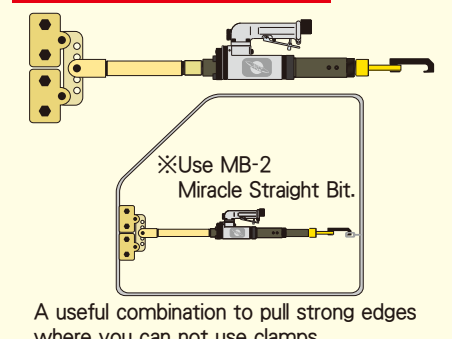
Application for door frame



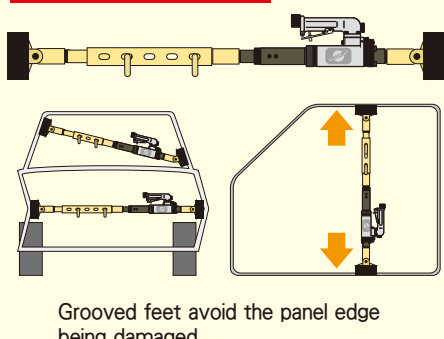
Application for door frame



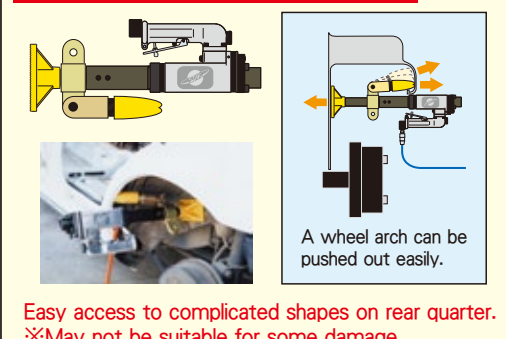
Application for door frame



Application for frame



Application for rear quarter panel



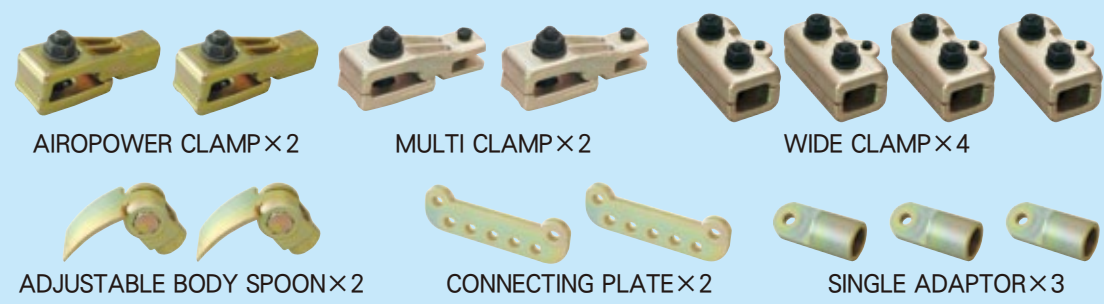
※Star co.,ltd. reserves the right to modify models shown this catalogue without any prior notification.

SUPER DELUXE KIT

STANDARD KIT Model EP-01AE + ACCESSORY 53PCS. KIT Model EP-53AK + MINI TOWER Model 19320PS



STANDARD KIT



AIROPOWER CLAMP×2

MULTI CLAMP×2

WIDE CLAMP×4

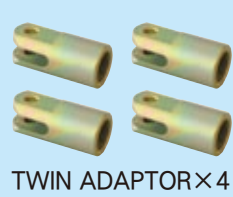
ADJUSTABLE BODY SPOON×2

CONNECTING PLATE×2

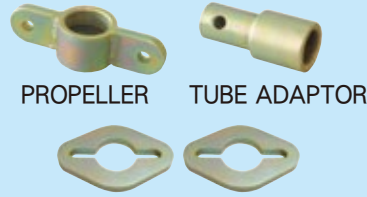
SINGLE ADAPTOR×3



GROOVED FOOT×4

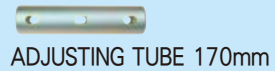


TWIN ADAPTOR×4

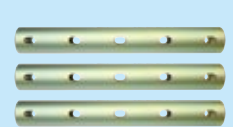


PROPELLER

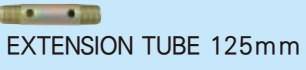
TUBE ADAPTOR



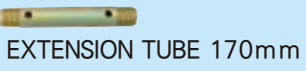
ADJUSTING TUBE 170mm



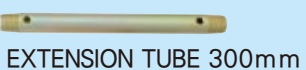
ADJUSTING TUBE 290mm×3



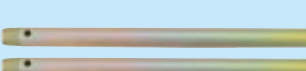
EXTENSION TUBE 125mm



EXTENSION TUBE 170mm



EXTENSION TUBE 300mm



EXTENSION TUBE 500mm×2



L-TYPE PIN×6



KNOCK PIN W/ STOPPER×4



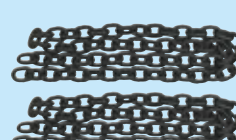
BIT HOOK



HEXAGON WRENCH L,M



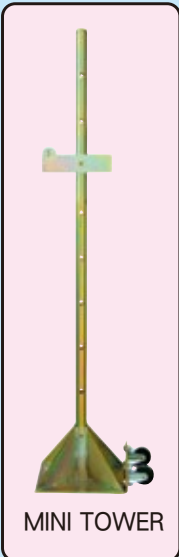
MIRACLE BIT



CHAIN×2



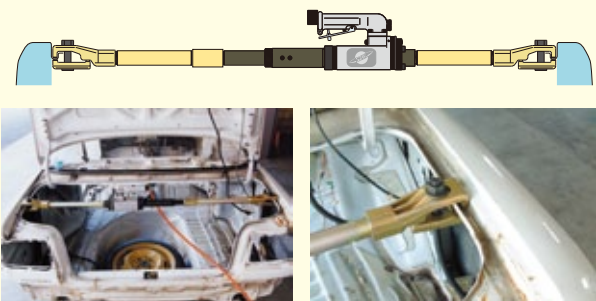
DELUXE TROLLEY



MINI TOWER

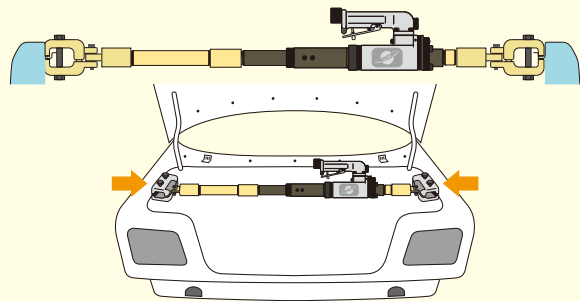
Useful Applications of Super Deluxe Kit ①

Application for upper side rear quarter panel

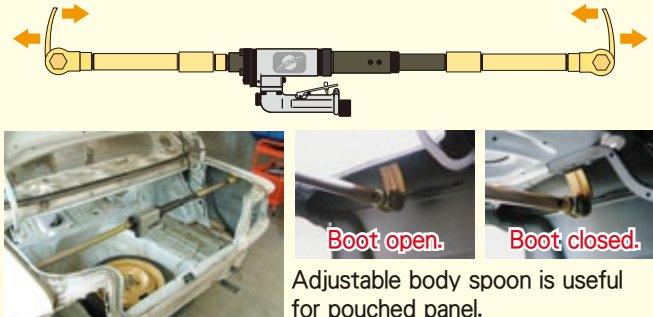


You can clamp the panel without damaging the panel edge.

Application for rear outer panel and C pillar

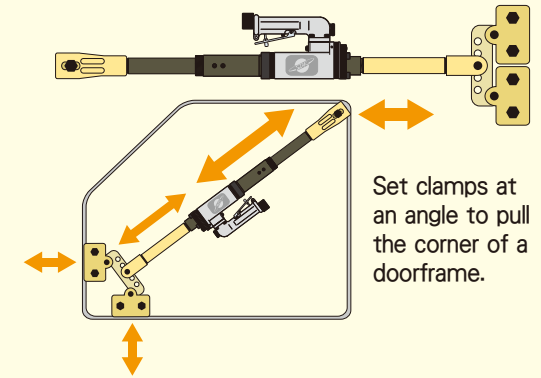


Application for upper side rear quarter panel



Adjustable body spoon is useful for pouched panel. Enables you to make some adjustments precisely by closing the trunk lid.

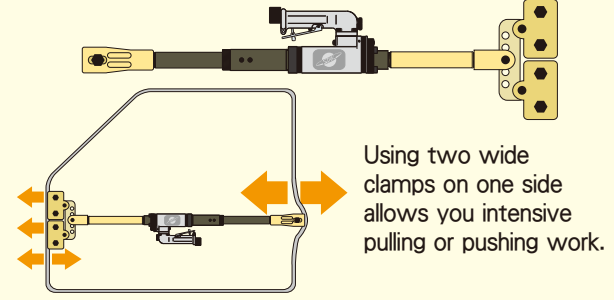
Application for door frame



Set clamps at an angle to pull the corner of a doorframe.

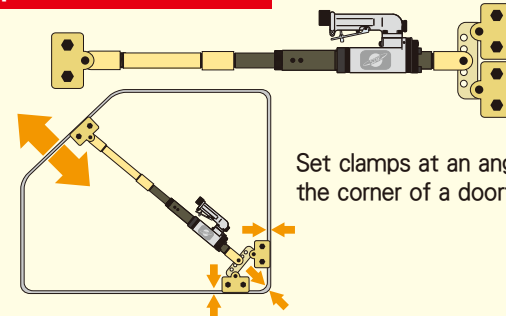
Useful Applications of Super Deluxe Kit ②

Application for door frame



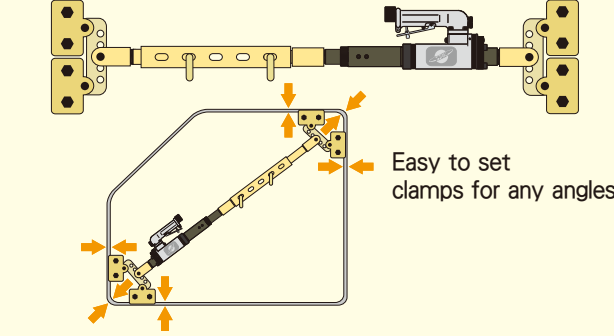
Using two wide clamps on one side allows you intensive pulling or pushing work.

Application for door frame



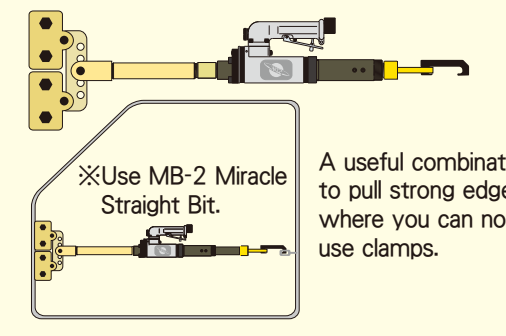
Set clamps at an angle to pull the corner of a doorframe.

Application for door frame



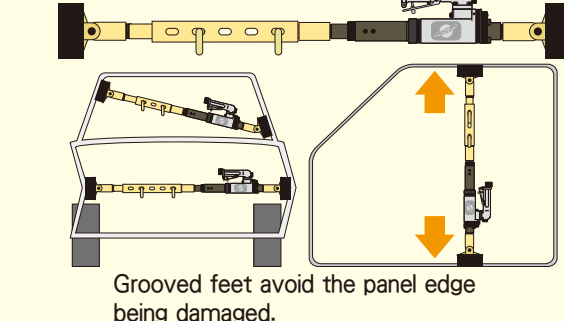
Easy to set clamps for any angles.

Application for door frame



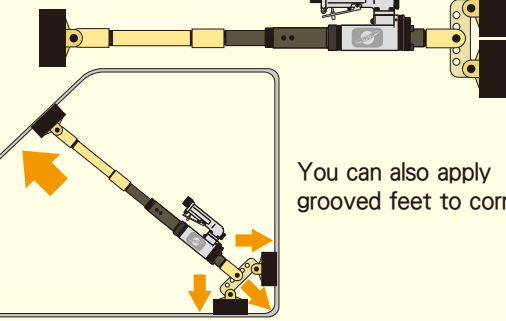
※Use MB-2 Miracle Straight Bit. A useful combination to pull strong edges where you can not use clamps.

Application for frame



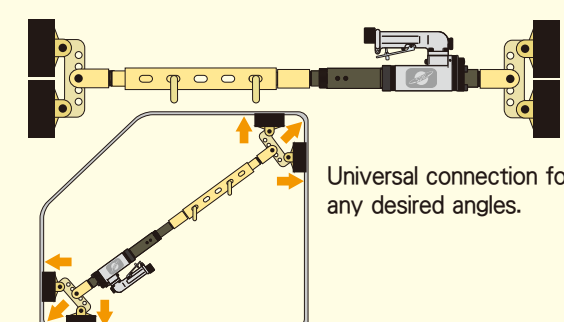
Grooved feet avoid the panel edge being damaged.

Application for door frame



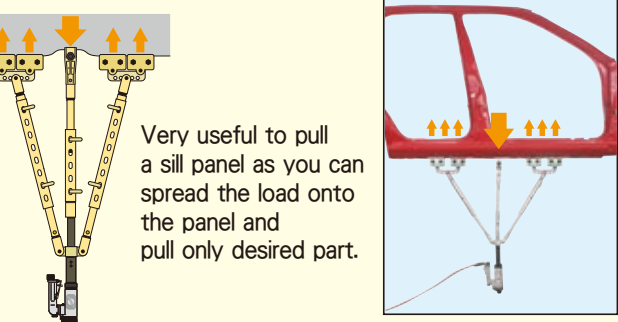
You can also apply grooved feet to corners.

Application for door frame



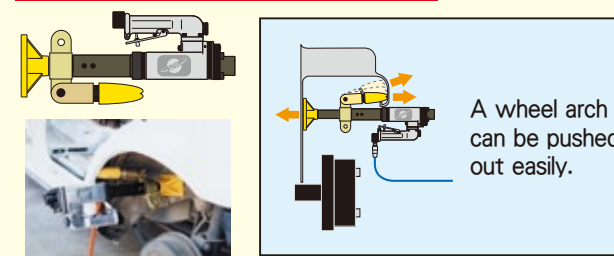
Universal connection for any desired angles.

Application for rocker panel



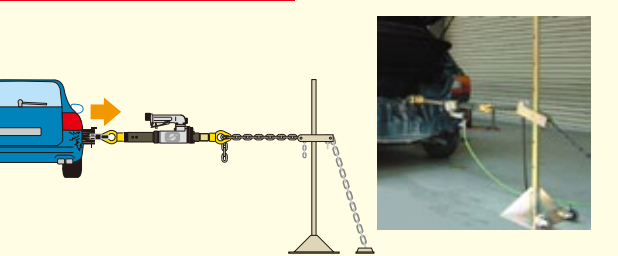
Very useful to pull a sill panel as you can spread the load onto the panel and pull only desired part.

Application for rear quarter panel



Easy access to complicated shapes on rear quarter. ※May not be suitable for some damage.

Application for outer panel



Using a Mini Tower gives more useful applications. Very simple but effective.

Category

※Star co.,ltd. reserves the right to modify models shown this catalogue without any prior notification.

Can be used in so many applications with your own idea!!

Category

