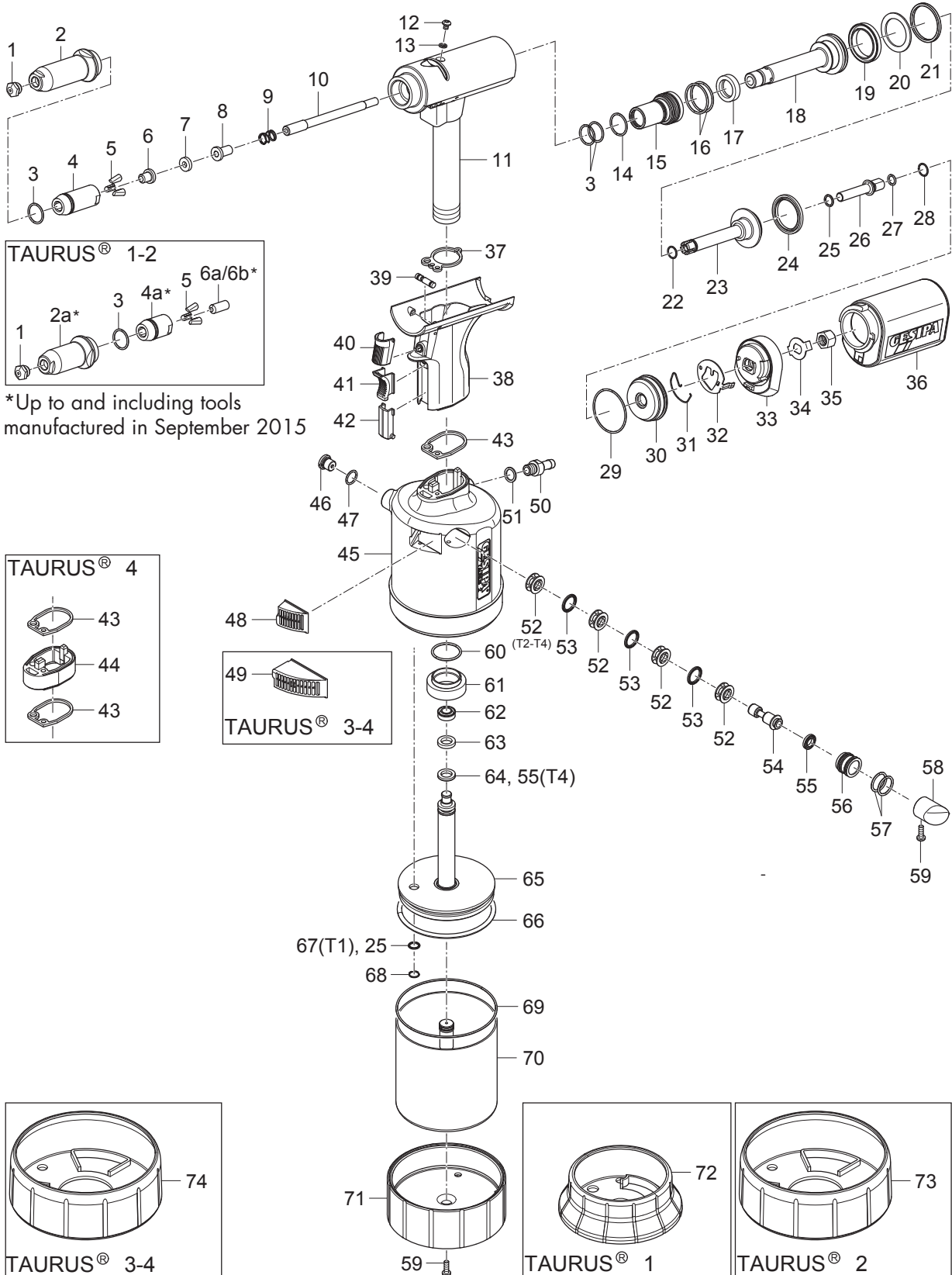


Hydro-pneumatic blind rivet setting tools

TAURUS® 1-4

Exploded drawing based on TAURUS® 2.
 Specifications of other models in the boxes.





Hydro-pneumatic blind rivet setting tools

TAURUS® 1-4

You will find spare part kits for TAURUS® 1-4 on page 368.

Spare part no.	TAURUS®-Type	Article no.	Designation
1 •	T1	143 4976	Nosepiece17/18
		143 4994	Nosepiece17/20
		143 5018	Nosepiece17/22
	T2	143 4955	Nosepiece17/24
		143 4973	Nosepiece17/27
		143 4974	Nosepiece17/29
		143 4975	Nosepiece17/32
		143 4977	Nosepiece17/36
	T3, T4	143 4999	Nosepiece17/40
		143 4860	Nosepiece17/45
2		143 6003	Steel head sleeve 4
2a *	T1, T2	143 5587	Steel head sleeve
3 •		144 6012	O-ring
4 •		143 6002	Jaw housing 4
4a *	T1, T2	143 5574	Jaw housing
5 •		143 5568	Jaws (3-part)
6 •	T1	143 5507	Jaw pusher 1
	T2	143 5768	Jaw pusher 2
	T3, T4	143 6000	Jaw pusher 4
6a *	T1	143 5565	Jaw pusher 1
6b *	T2	143 5776	Jaw pusher 2
7		143 5999	Damping ring 4
8	T1	143 5509	Centre part 1
	T2	143 5769	Centre part 2
	T3, T4	143 6001	Centre part 3
9		146 3064	Spring
10	T1	143 5558	Nozzle tube 1
	T2	143 5764	Nozzle tube 2, longe
	T3, T4	143 5886	Nozzle tube 3, longe
11	T1	145 7745	Tool head 1, assembled
	T2, T3	145 7856	Tool head 2, assembled
	T4	145 7992	Tool head 4, assembled
12		144 6013	Oil screw plug
13		143 5612	Sealing ring M4
14		143 5629	O-ring
15		143 5681	Seal holder, complete
16		143 4227	O-ring
17		143 5630	Rod seal
18		143 5631	Draw bar
19		143 5632	Piston seal
20		143 5488	Supporting ring
21		143 5485	Piston seal
22		143 5671	O-ring
23		145 7746	Resetting piston, complete
24		143 5633	Piston seal
25		143 5635	Rod seal
26	T1	143 5852	Connecting piece 1
	T2, T3, T4	143 5765	Connecting piece 2/3
27		143 5519	O-ring
28		144 6167	Snap ring
29		143 5524	O-ring
30		143 5532	End cap
31		144 6028	Retaining spring
32		143 5664	Retainer
33		143 5663	Adapter
34		143 5842	Lock washer
35	T1	143 5849	Connecting piece nut 1
	T2, T3, T4	143 5766	Connecting piece nut 2/3
36	T1, T2	143 5677	Spent mandrel container, complete
	T3, T4	143 5964	Spent mandrel container, complete
37		143 5472	Flat gasket 1
38		145 7748	Grip, complete
39		145 7747	Distributing valve, complete

Spare part no.	TAURUS®-Type	Article no.	Designation
40		144 6025	Activation button
41		143 5642	Slider
42		143 5686	Orifice
43		143 5480	Flat gasket 2
44	T4	143 5998	Grip extension
45	T1	145 7749	Air cylinder 1, complete
	T2	145 7859	Air cylinder 2, complete
	T3	145 7950	Air cylinder 3, complete
	T4	145 7993	Air cylinder 4, complete
46		145 7750	Pressure relief valve, complete
47		143 5484	O-ring
48	T2	145 7862	Silencer 2, complete
49	T3, T4	145 7956	Silencer 3, complete
50		143 5667	Connecting nipple
51		144 6030	Sealing ring
52		143 5648	Spacer cage
53		143 5647	Rod seal
54		143 5651	Control piston
55		143 5675	Piston seal
56		143 5652	Piston housing
57		143 5688	O-ring
58	T1	144 6026	Stopper 1
	T2	144 6073	Stopper 2
	T3, T4	144 6100	Stopper 3
59		144 5773	Housing screw short
60		143 5486	O-ring
61		143 5492	Al nut
62	T1	143 5658	Piston seal
	T2, T3	143 5841	Piston seal
	T4	143 6007	Piston seal
63	T1	143 5657	Guide ring 1
	T2, T3	143 5825	Guide ring 2
	T4	143 6006	Guide ring 4
64	T1	143 5656	Piston seal
	T2, T3	143 5670	Piston seal
65	T1	145 7751	Air piston 1, complete
	T2	145 7860	Air piston 2, complete
	T3	145 7952	Air piston 3, complete
	T4	145 7994	Air piston 4, complete
66	T1	143 5660	O-ring
	T2	143 5834	O-ring
	T3, T4	143 5937	O-ring
67	T1	143 5659	Rod seal
68	T1	144 6027	Snap ring
	T2, T3, T4	144 6082	V-profile ring
69	T1	143 5680	O-ring
	T2	143 5839	O-ring
	T3, T4	143 5927	O-ring
70	T1	145 7752	Cylinder 1, complete
	T2	145 7861	Cylinder 2, complete
	T3	145 7953	Cylinder 3, complete
	T4	145 7995	Cylinder 4, complete
71	T1	143 5508	Bottom 1
	T2	143 5761	Bottom 2
	T3, T4	143 5874	Bottom 3
72	T1	143 6394	Rubber foot 1
73	T2	143 6371	Rubber foot 2
74	T3,T4	143 5900	Rubber foot 3 - 4
	T2, T3	145 7863	Jaw pusher changeover set
	T1	145 7700	Changeover set
	T2, T3, T4	145 7703	Changeover set
		144 5294	Hydraulic oil refill bottle, 100 ml

* Wearing parts / * Up to and including tools manufactured in September 2015.

You will find spare part kits for TAURUS® 1-4 on page 368.

